

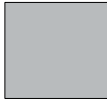


VPRFSGE365SS

PRIMA DUAL FUEL 36" RANGE

GENERAL FEATURES		
Size	36"	
Type	Dual Fuel	
Clock and Timer	Digital & Programmable	
Control Knobs	Chromed Pro Knob	
Liquid Propane (LP)	LP Conversion Kit Included	
Power Requirements	120/240 Volt 60Hz 30 Amp dedicated circuit	
Warranty	2 years parts & labor within policy	
COOKTOP FEATURES		
Burners	5 Sealed SABAF – 57,000BTU	
Double Ring x 2	5,000 - 12,000 BTU	
Semi-Rapid x 2	1,500 - 8,000 BTU	
Dual Burner x 1	Dual Crown 1,100 - 17,000 BTU Inner Crown 1,100 – 2,800 BTU Outer Crown 5,000 - 14,200 BTU	
Ignition Type	One-Touch, Instant with Safety Shut-off Thermocouple Feature	
Grates	Continuous Cast Iron	
Griddle	Optional	
Wok Support Ring	Included – Cast Iron	
OVEN FEATURES		
Interior Oven Dims.	5.0 cu.ft. / 30"W x 16"D x 15.5"H	
Convection Fan	Dual Convection Fans	
European Convection	Yes	
Broil Element	Yes – Full Width, Closed Door	
Broiler Power	3,000W	
Functions	Bake, Bottom Bake , Upper Bake, Broil, Maxi Broil, Convection Bake, Convection Broil, Defrost, Pizza, Fan Assist	
Oven Door	Soft Close w/ 3 Pane Removable Glass	
Oven Lights	2 LED	
Oven Interior	Easy-clean enamel	
Included Accessories	2 – standard racks, position adjustable 1 – broiler pan assembly	
DIMENSIONS		
Width (in)	35 7/8	
Height (in)	35 3/8" – 37 1/4"	
Depth (in)	25 1/4"	
Island Trim	3"H (available for purchase as accessory)	
OPTIONAL ACCESSORIES		
GLIDE RACK ASSEMBLY	Stainless Steel	VEGLIDE36-DES
SPACE SAVER SHELF	Stainless Steel	VESAV90
AIR FRY TRAY	Enameled	VEAFT90
TEPPANYAKI GRIDDLE	Stainless Steel	VEGRL300SS
STEAK GRIDDLE PAN	Cast Iron	VEGRD100C
SIMMER PLATE	Cast Iron	VEMSIM
SMALL POT REDUCER	Cast Iron	VEMSPR
COLOR KNOBS SET	Burgundy or Black	VEKNDGESBU/BLK

COLOR OPTIONS:

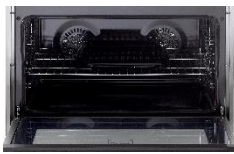


Stainless Steel
(SS)

MAIN FEATURES:



5 POWERFUL BURNERS
CONTINUOUS GRATES



5.0 CU.FT. OVEN CAPACITY
DUAL CONVECTION FANS



DIGITAL CLOCK &
PRO KNOB DESIGN



BRUSHED ALUMINUM HANDLE

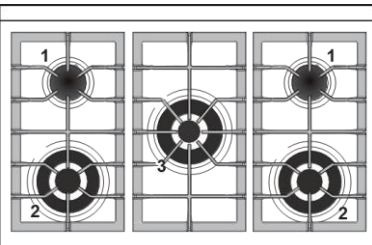


FULL-WIDTH STORAGE



SOFT-CLOSE OVEN DOOR

COOKTOP CONFIGURATION:



BURNER REF	MAX BTU
1	8,000
2	12,000
3 - Dual	17,000
3 - Inner	2,800
3 - Outer	14,200

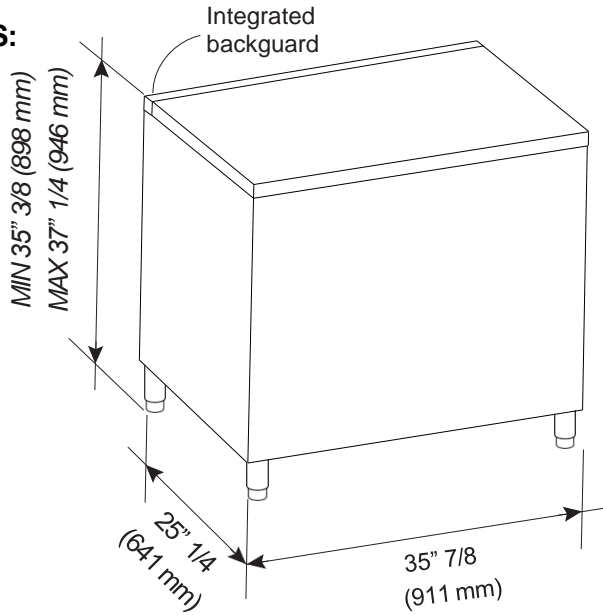


VPRFSGE365SS

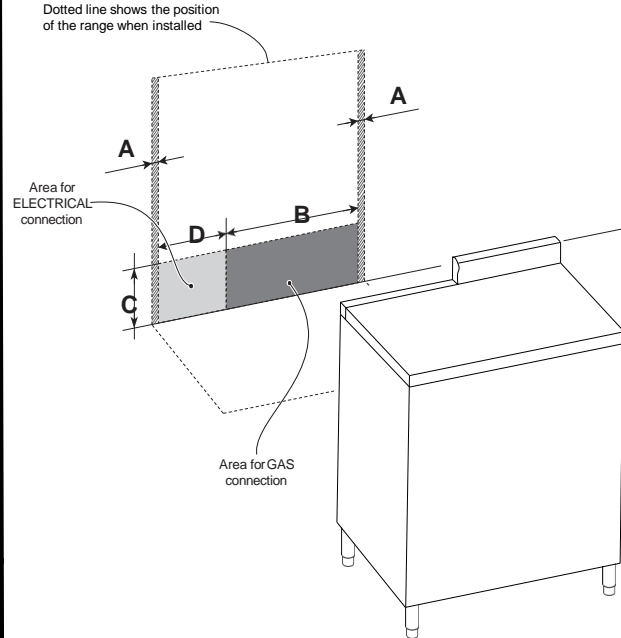
PRIMA 36" DUAL FUEL RANGE

EuroChef USA | www.veronaappliances.com

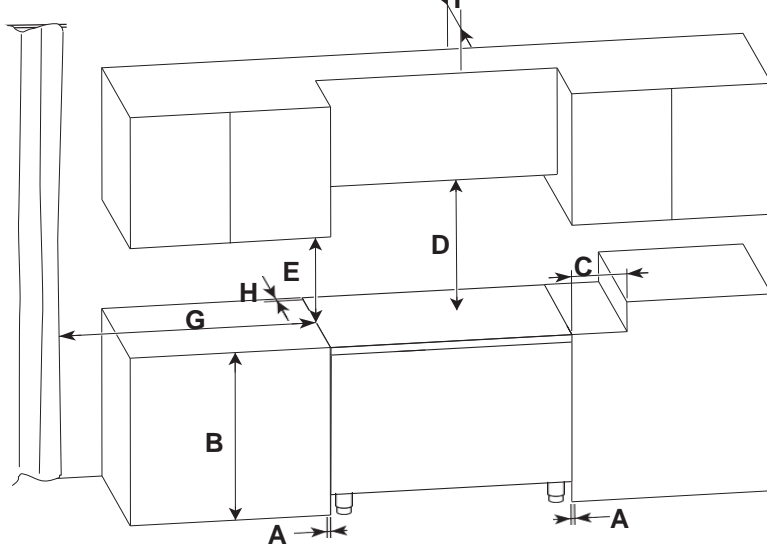
DIMENSIONS:



ELECTRICAL & GAS CLEARANCES:



INSTALLATION CLEARANCES:



Ref.	inch	mm
A	1/4"	6
B	23" 9/16	599
C	8" 1/8 - 10" 1/8 (*)	207 - 257 (*)
D	11" 13/16	300

(*): Depending on appliance leg installation height

Ref.	inch	mm
A	0"	0
B	37" 1/2 (*)	953 (*)
C	11" 13/16	300
D	30" or 36" minimum	762 or 914 minimum
E	18" minimum	457 minimum
F	13" maximum	330 maximum
G	20" minimum	500 minimum
H	0"	0

(*) Maximum height of cabinetry immediately adjacent to the range (from floor to countertop). Depending on the height of the feet adjustment. The cooking surface must sit flush or above countertop level.

IMPORTANT: 4-WIRE INSTALLATION REQUIRED

Please follow full instructions for 4-wire installation found within the installation manual provided with the appliance.

