

# VPRFSEE365SS

## PRIMA ELECTRIC 36" RANGE



GENERAL FEATURES		
Size	36"	
Type	Electric	
Clock and Timer	Digital & Programmable	
Control Knobs	Chromed Pro Knob	
Power Requirements	120/240 Volt 60Hz 50 Amp dedicated circuit	
Warranty	2 years parts & labor within policy	
COOKTOP FEATURES		
Burners	5 Electric Zones	
Left Front + Right Rear	1700W / 7 <sup>3</sup> / <sub>32</sub> " (180mm) dia.	
Right Front + Left Rear	1200W / 5 <sup>23</sup> / <sub>32</sub> " (145mm) dia.	
Center - Dual Element	Inner Zone 700W / 4 <sup>21</sup> / <sub>64</sub> " (110mm) dia. Outer Zone 2100W / 8 <sup>1</sup> / <sub>16</sub> " (205mm) dia.	
Ignition Type	One-Touch, Instant with Safety Shut-off Thermocouple Feature	
Cooktop Surface	Black Vitroc ceramic Glass	
Griddle	Optional	
OVEN FEATURES		
Interior Oven Dims.	5.0 cu.ft. / 30"W x 16"D x 15.5"H	
Convection Fan	Dual Convection Fans	
European Convection	Yes	
Broil Element	Yes - Full Width, Closed Door	
Broiler Power	3,000W	
Functions	Bake, Bottom Bake, Upper Bake, Broil, Maxi Broil, Convection Bake, Convection Broil, Defrost, Pizza, Fan Assist	
Oven Door	Soft Close w/ 3 Pane Removable Glass	
Oven Lights	2 LED	
Oven Interior	Easy-clean enamel	
Included Accessories	2 - standard racks, position adjustable 1 - broiler pan assembly	
DIMENSIONS		
Width (in)	35 <sup>7</sup> / <sub>8</sub>	
Height (in)	35 <sup>3</sup> / <sub>8</sub> " - 37 <sup>1</sup> / <sub>4</sub> "	
Depth (in)	25 <sup>1</sup> / <sub>4</sub> "	
Island Trim	3"H (available for purchase as accessory)	
OPTIONAL ACCESSORIES		
GLIDE RACK ASSEMBLY	Stainless Steel	VEGLIDE36-DES
SPACE SAVER SHELF	Stainless Steel	VESAV90
AIR FRY TRAY	Enameled	VEAFT90
STEAK GRIDDLE PAN	Cast Iron	VEGRD100C
COLOR KNOBS SET	Burgundy or Black	VEKNDGESBU/BLK

### COLOR OPTIONS:



Stainless Steel (SS)

### MAIN FEATURES:



INTELLIGENTLY DESIGNED COOKTOP



5.0 CU.FT. OVEN CAPACITY  
DUAL CONVECTION FANS



DIGITAL CLOCK &  
PRO KNOB DESIGN



BRUSHED ALUMINUM HANDLE

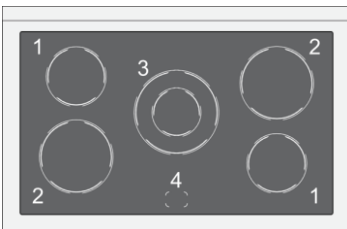


FULL-WIDTH STORAGE



SOFT-CLOSE OVEN DOOR

### COOKTOP CONFIGURATION:



BURNER REF	MAX WATTS
1	1200W
2	1700W
3 - Outer	2100W
3 - Inner	700W
4	CONTROLS



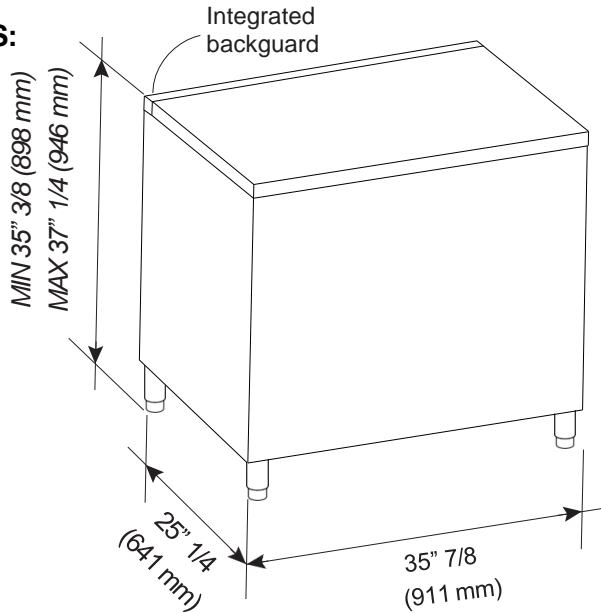


# VPRFSEE365SS

## PRIMA 36" ELECTRIC RANGE

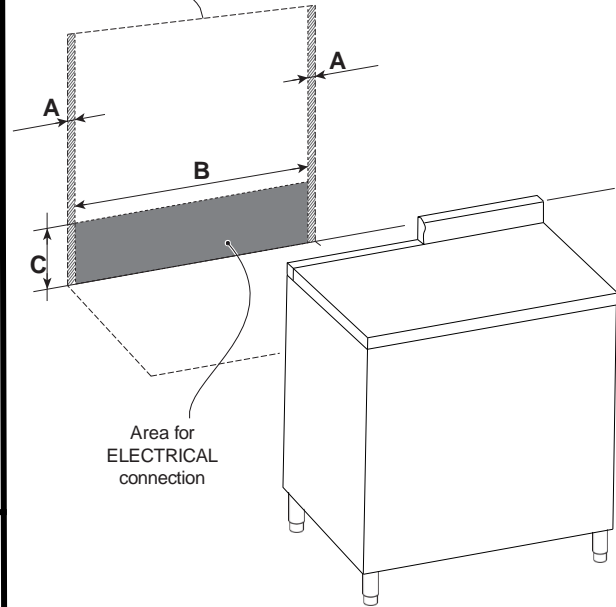
EuroChef USA | [www.veronaappliances.com](http://www.veronaappliances.com)

### DIMENSIONS:



### ELECTRICAL CLEARANCES:

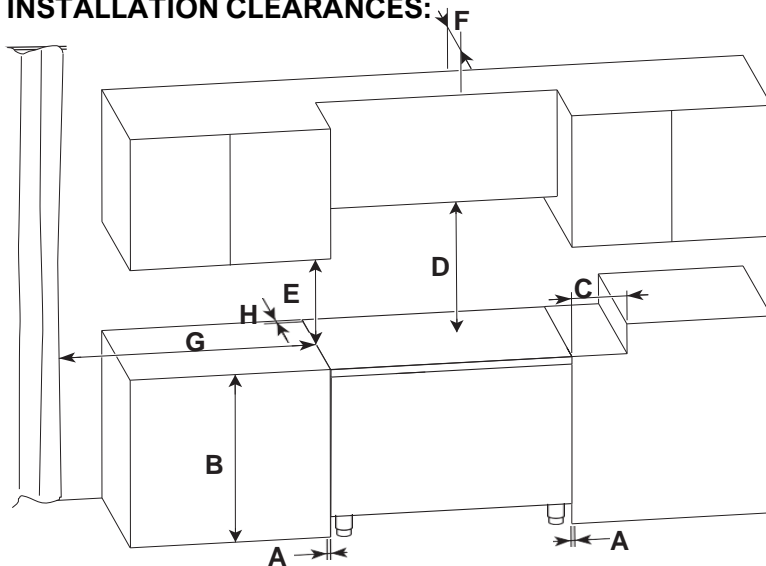
Dotted line showing the position of the range when installed



Ref.	inch	mm
A	1/4"	6
B	35 3/8"	899
C	8 1/8 - 10 1/8 (*)	207 - 257 (*)

(\*): Depending on appliance leg installation height

### INSTALLATION CLEARANCES:

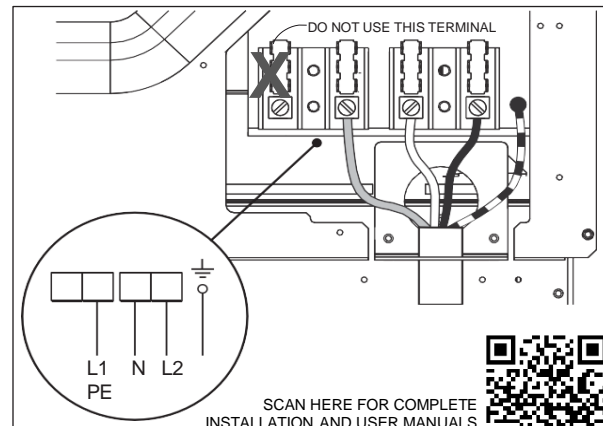


Ref.	inch	mm
A	0"	0
B	36" (*)	914 (*)
C	2"	50
D	30" minimum	762 minimum
E	18" minimum	457 minimum
F	13" maximum	330 maximum
G	20" minimum	500 minimum
H	0"	0

(\*) Maximum height of cabinetry immediately adjacent to the range (from floor to countertop). Depending on the height of the feet adjustment. The cooking surface must sit flush or above countertop level.

### IMPORTANT: 4-WIRE INSTALLATION REQUIRED

Please follow full instructions for 4-wire installation found within the installation manual provided with the appliance.



SCAN HERE FOR COMPLETE INSTALLATION AND USER MANUALS

