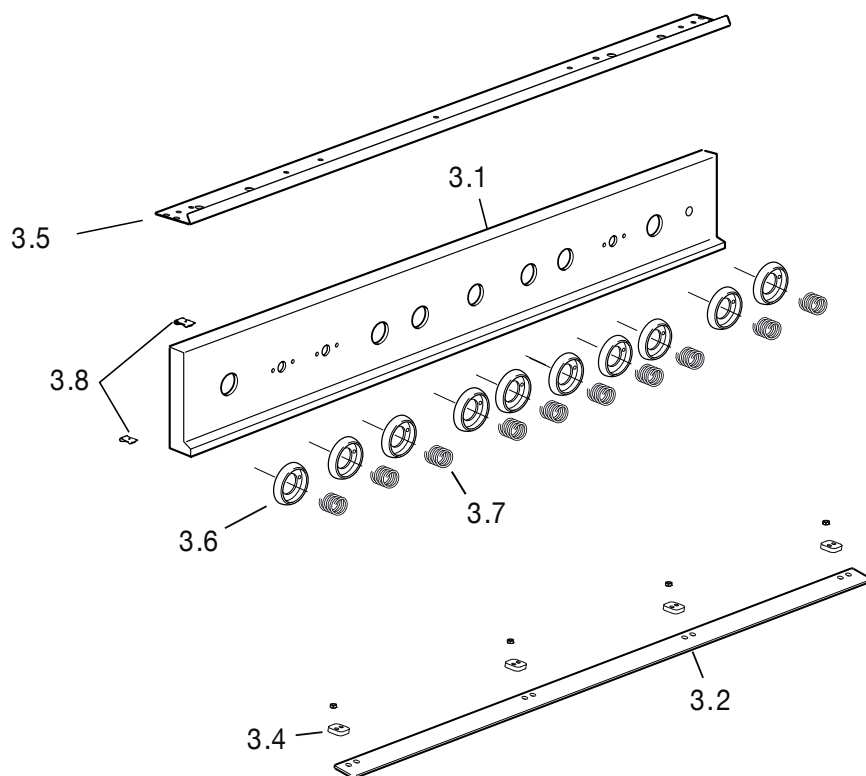
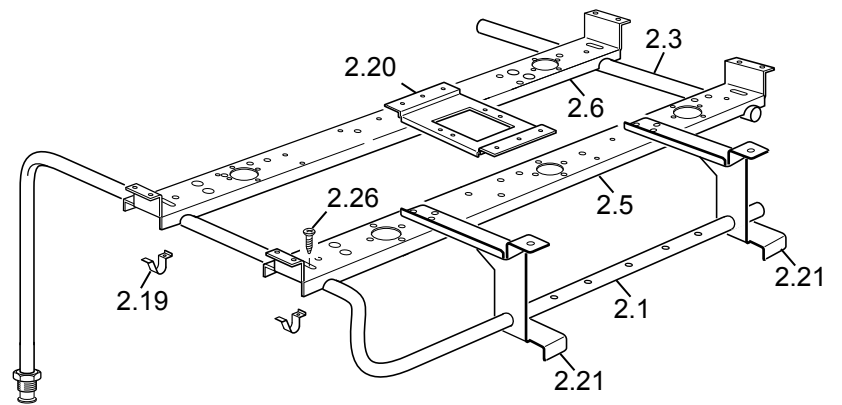
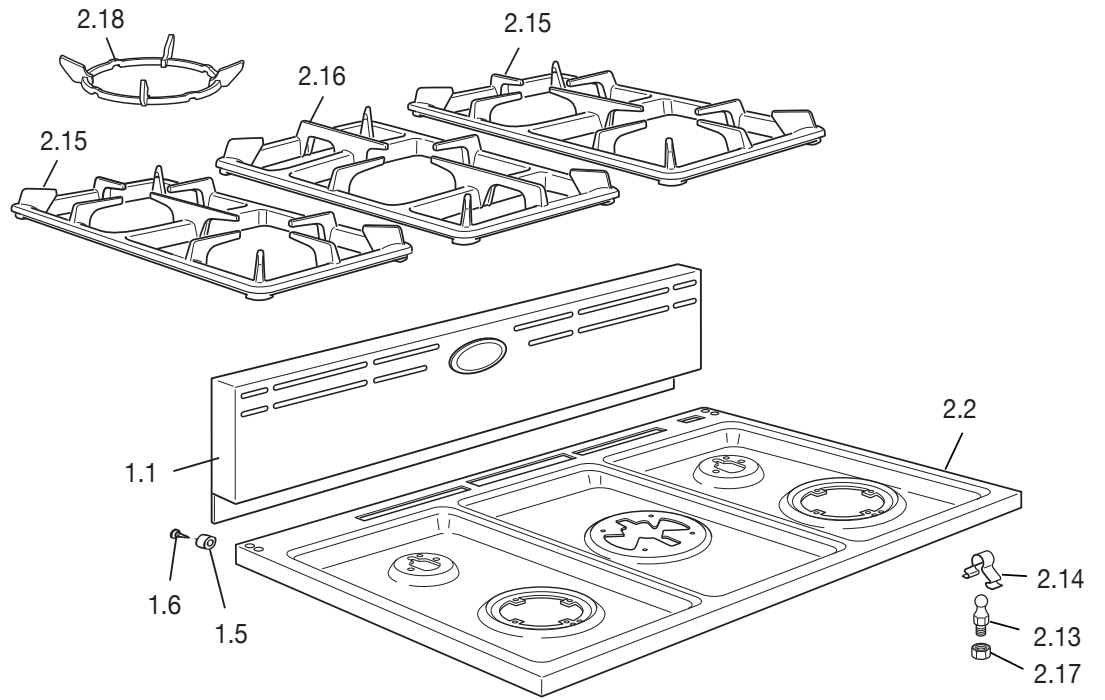


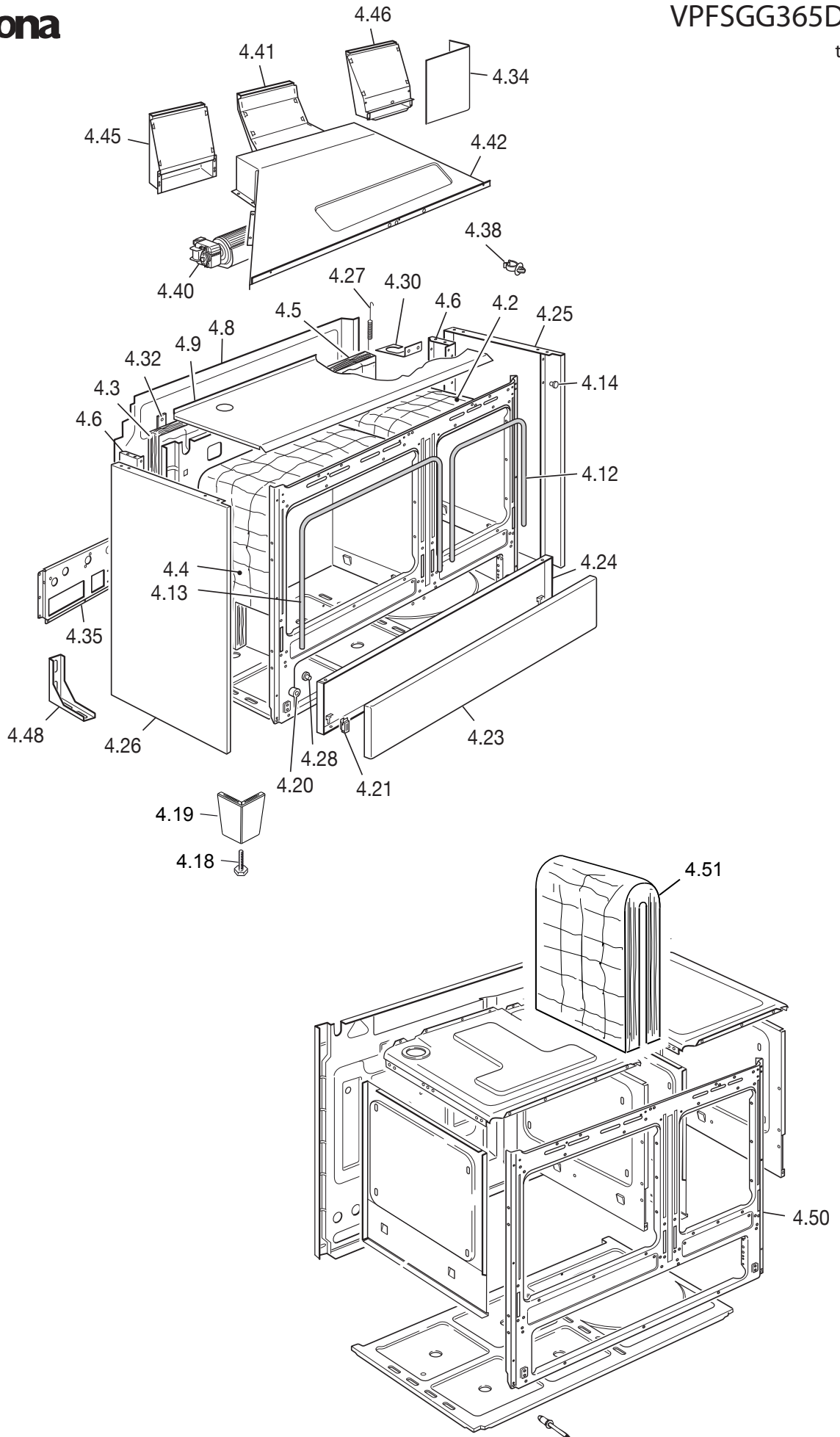
Product: **Cooker**Model: **VPFSGG365DSS**

Product code	Serial No.	Product remark	Issue No.	Issue Date
C36TVR031X				February 2019

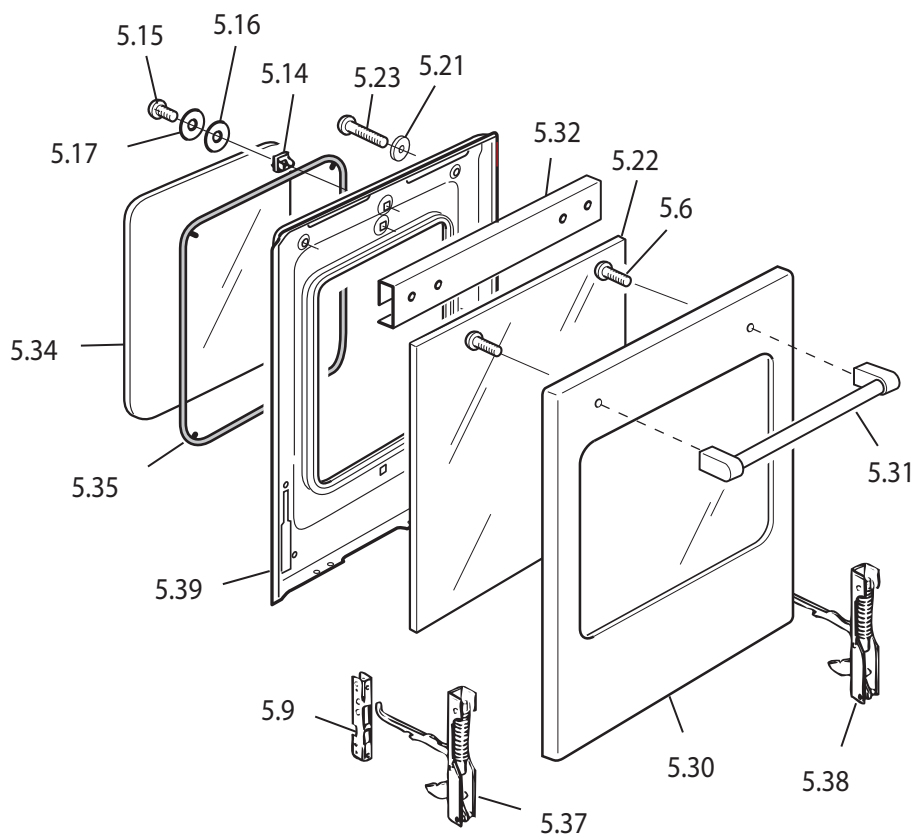
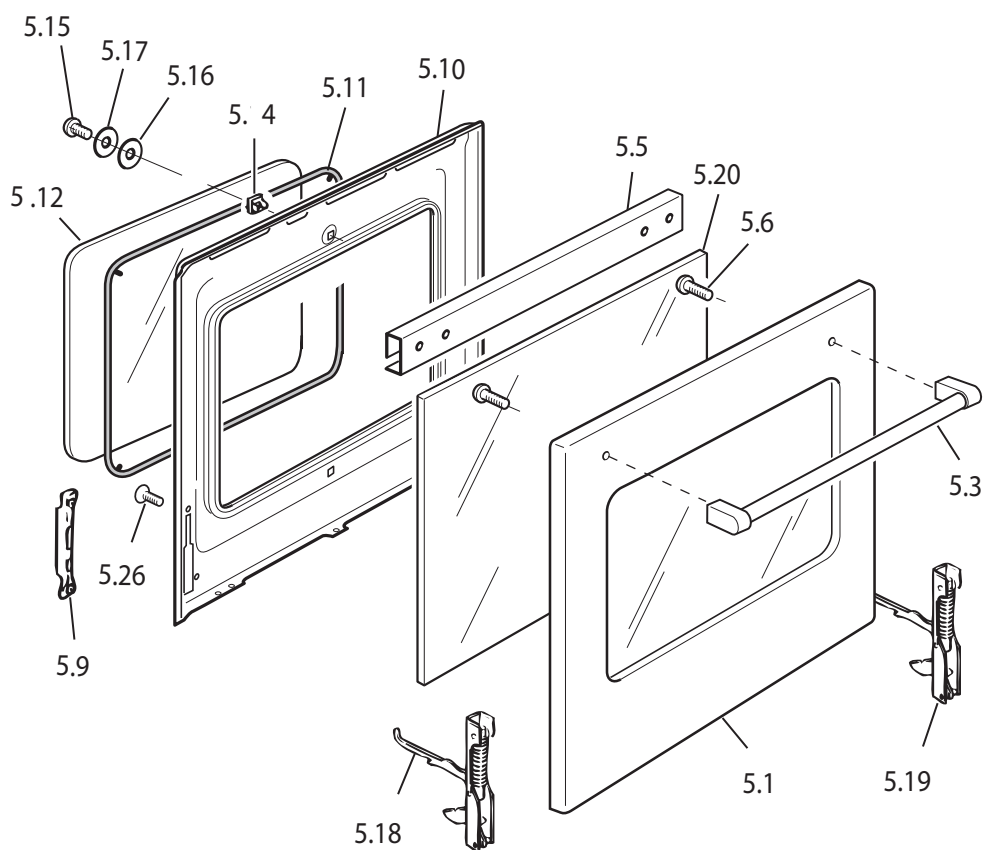
Key part information	
SR	Semirapid burner
TR	Triple ring burner
DUAL	Dual burner



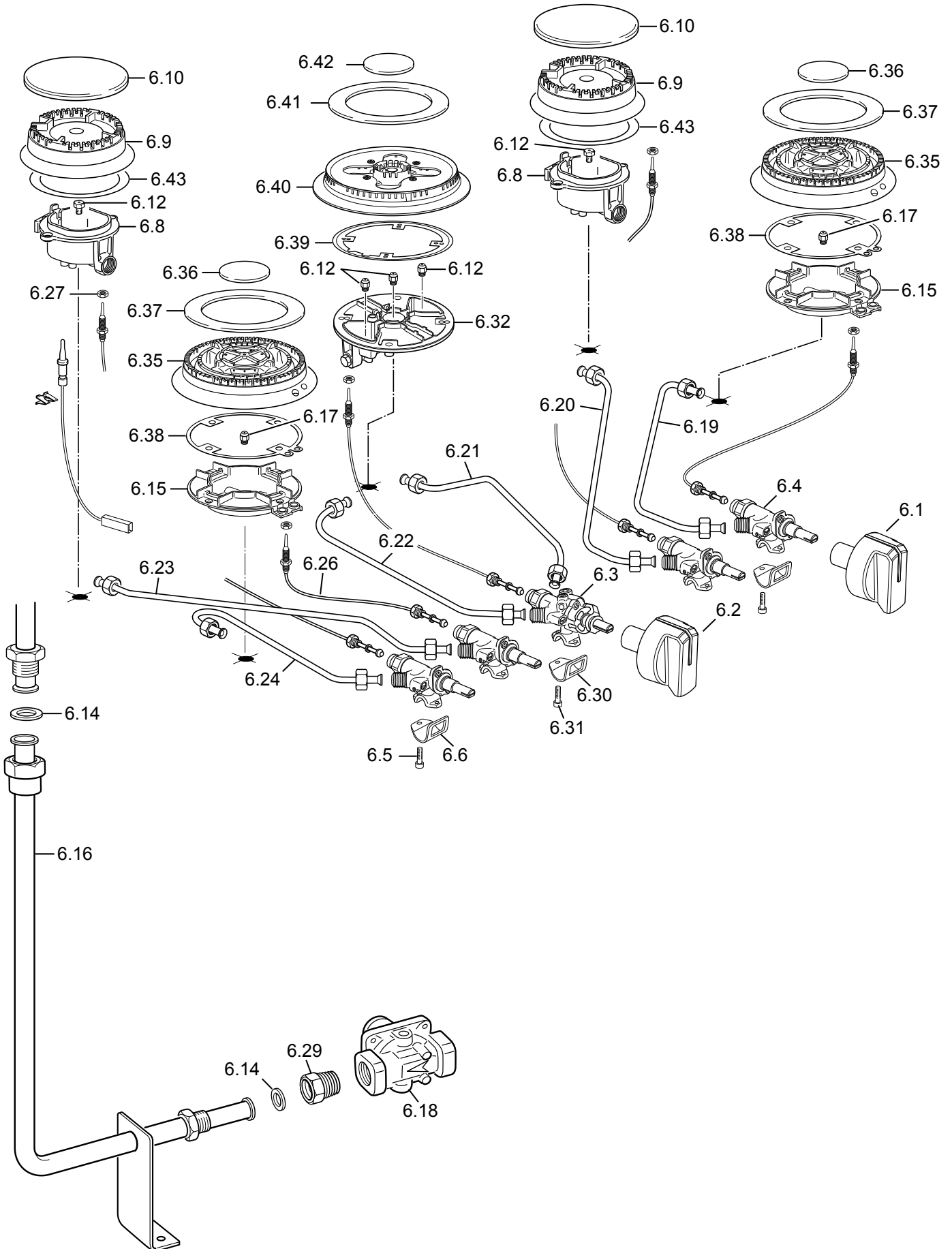
Ref.	Part description	Product code	
		C36TVR031X	
		Feature	Part code
1.1	Rear trim		1031444061
1.5	Plug		040031002
1.6	Screw		001180
2.1	Manifold		342365006
2.2	Cooktop		33136508S
2.3	Anchorage pipe		3426P40002
2.5	Burners support		51B9S06.1
2.6	Burners support rear		51B9S01
2.13	Pin		103615
2.14	Spring		035100
2.15	Pan-support		217751
2.16	Central pan-support		217752
2.17	Nut		214062
2.18	Wok grid		217808
2.19	Manifold plate		094793
2.20	DUAL burner support		51B9S08
2.21	Manifold bracket		094825
2.23	Stainless steel screw M3x8		001234.1
2.26	Screw		001167
3.1	Control panel		35C3618LD2
3.2	Control panel trim		51B3608
3.4	Spacer		1031234
3.5	Upper control panel trim		1031102
3.6	Knob ring		218000G574
3.7	Knob spring		035036
3.8	Clips		213007



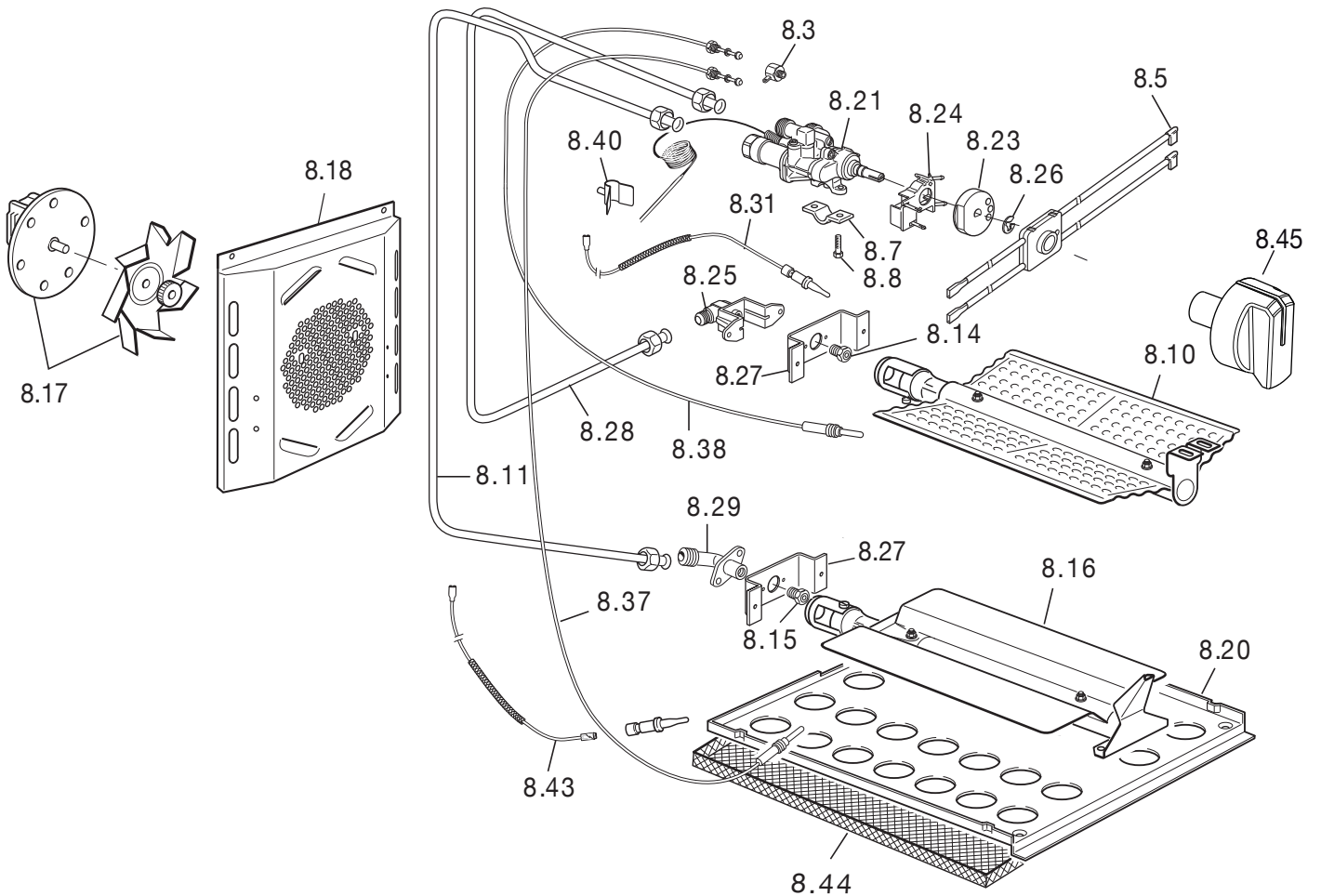
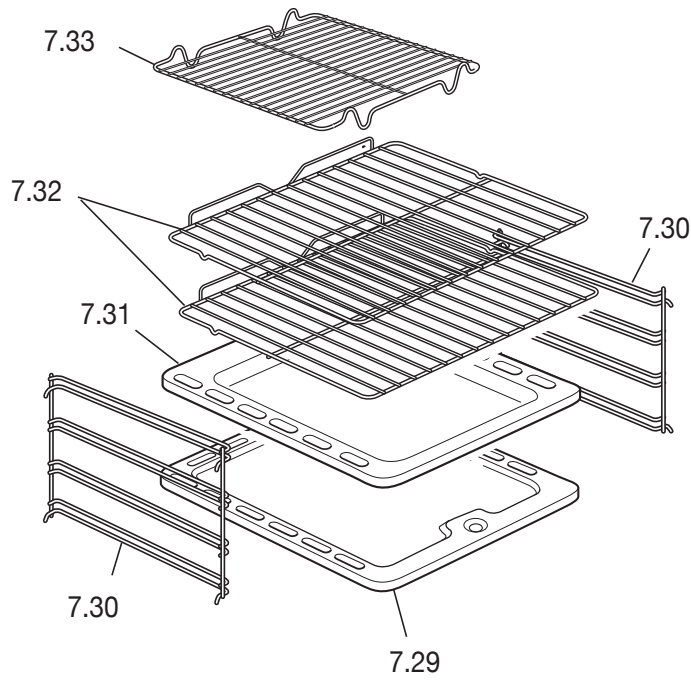
Ref.	Part description	Product code	
		C36TVR031X	
		Feature	Part code
---	Badge		081093
4.3	Rear left insulation		030171.1
4.4	Oven insulation		030267
4.5	Rear right insulation		030174.1
4.6	Rear side strut		51B3601
4.8	Rear panel		4113601
4.9	Upper shelter		4213602Z
4.12	Seal		053200
4.13	Seal		053199
4.14	Side panel plug		071042002
4.18	Shim		103878
4.19	Contemporary plinth		1031711
4.20	Buffer		040061
4.21	Hinge		063075
4.23	Front panel		371V36T03L
4.24	Inside panel		373V9601A
4.25	Side panel right		36C36D1S.1
4.26	Side panel left		36C36S1S.1
4.27	Insulation spring		035101
4.28	Rubber		040012
4.30	Extension pipe support		094559
4.32	Rear insulation support		4219604Z
4.34	Right funnel protection		094558
4.35	Right oven support		4213601Z
4.38	Tube retainer		531533
4.40	Tangential fan		079041
4.41	Air outlet chamber		46A3607Z
4.42	Air intake chamber		46A3602Z.1
4.45	Left funnel		46A6N07Z
4.46	Right funnel		46A36T02Z
4.48	Anti-tip stability device		630145
4.50	Oven frame		44136TGG05
4.51	Oven insulation		030266



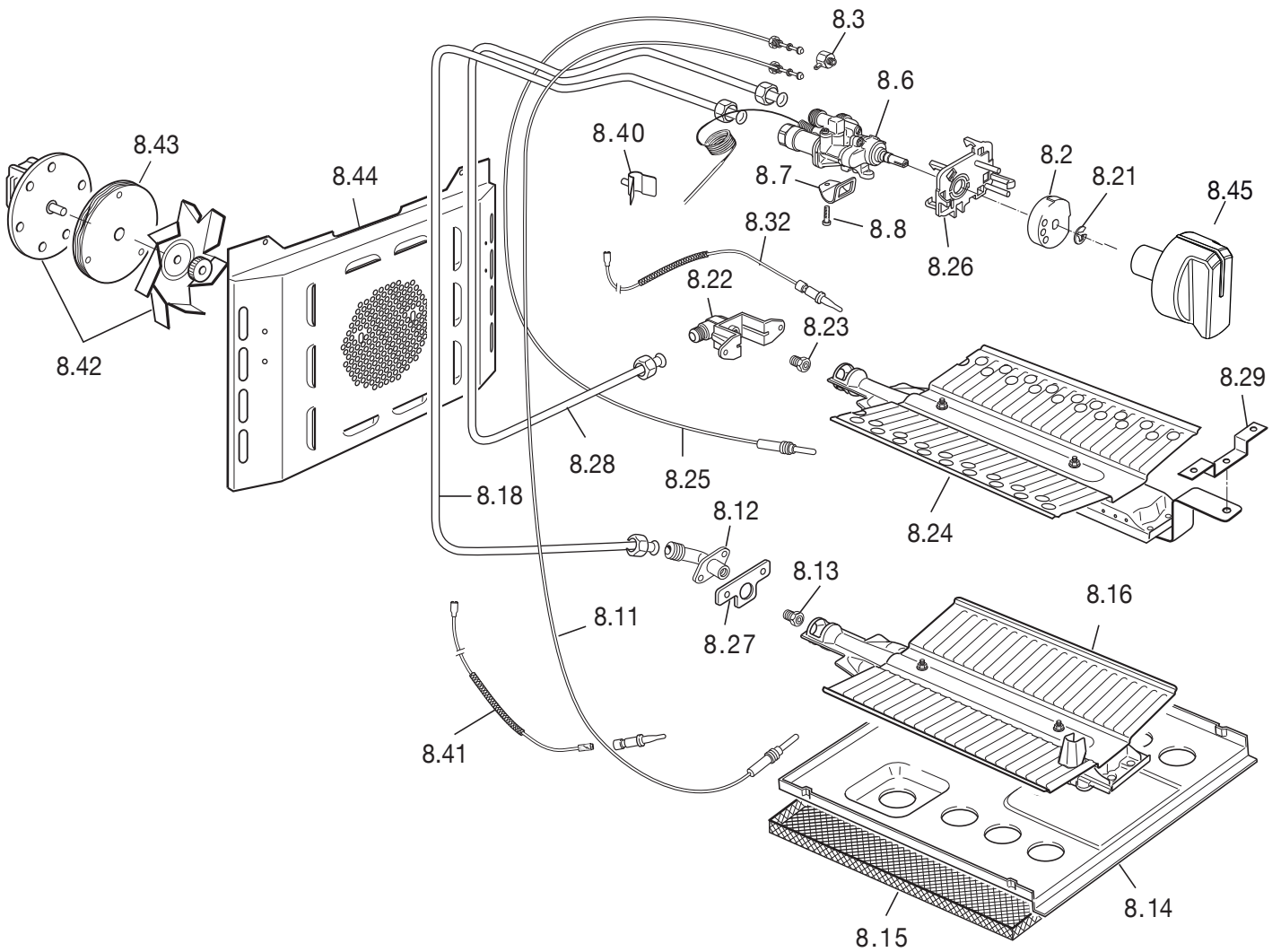
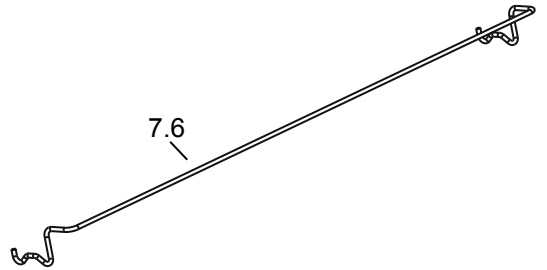
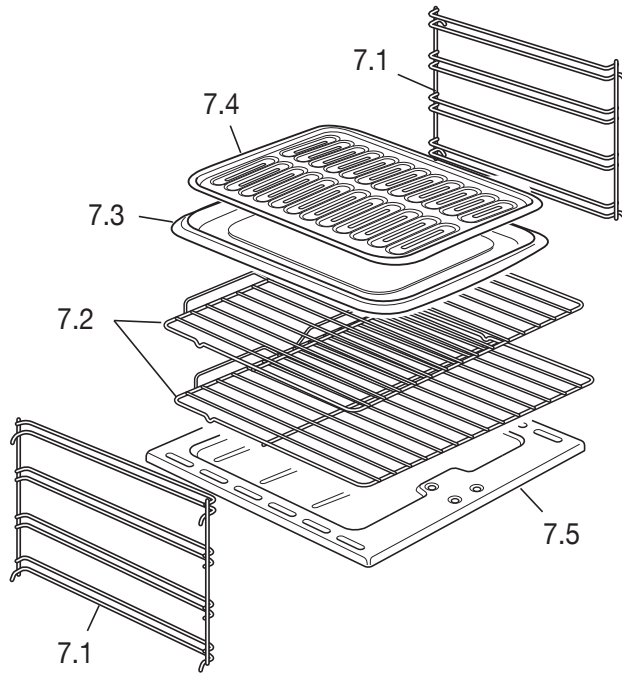
Ref.	Part description	Product code	
		C36TVR031X	
		Feature	Part code
5.1	Door glass		03236T008
5.3	Door handle		037221062
5.5	Fixing bar		51B9102
5.6	Screw		001033
5.9	Door hinge (female)		063148
5.10	Door panel		373F9105G
5.11	Gasket		053084
5.12	Inner glass		0311000.1T
5.14	Nut		214021
5.15	Screw		001143
5.16	Washer		003035
5.17	Washer		103205.1
5.18	Right door hinge (male)		063153
5.19	Left door hinge (male)		063153
5.20	Third glass		0312453
5.21	Washer		003030
5.22	Third glass		0312455
5.23	Screw		001056
5.26	Screw		001327
5.30	Door glass		03236T506
5.31	Door handle		037222062
5.32	Fixing bar		51B9S04
5.34	Inner glass		0312159T
5.35	Gasket		053096
5.37	Right door hinge (male)		063152
5.38	Left door hinge (male)		063152
5.39	Door panel		373F9S03G



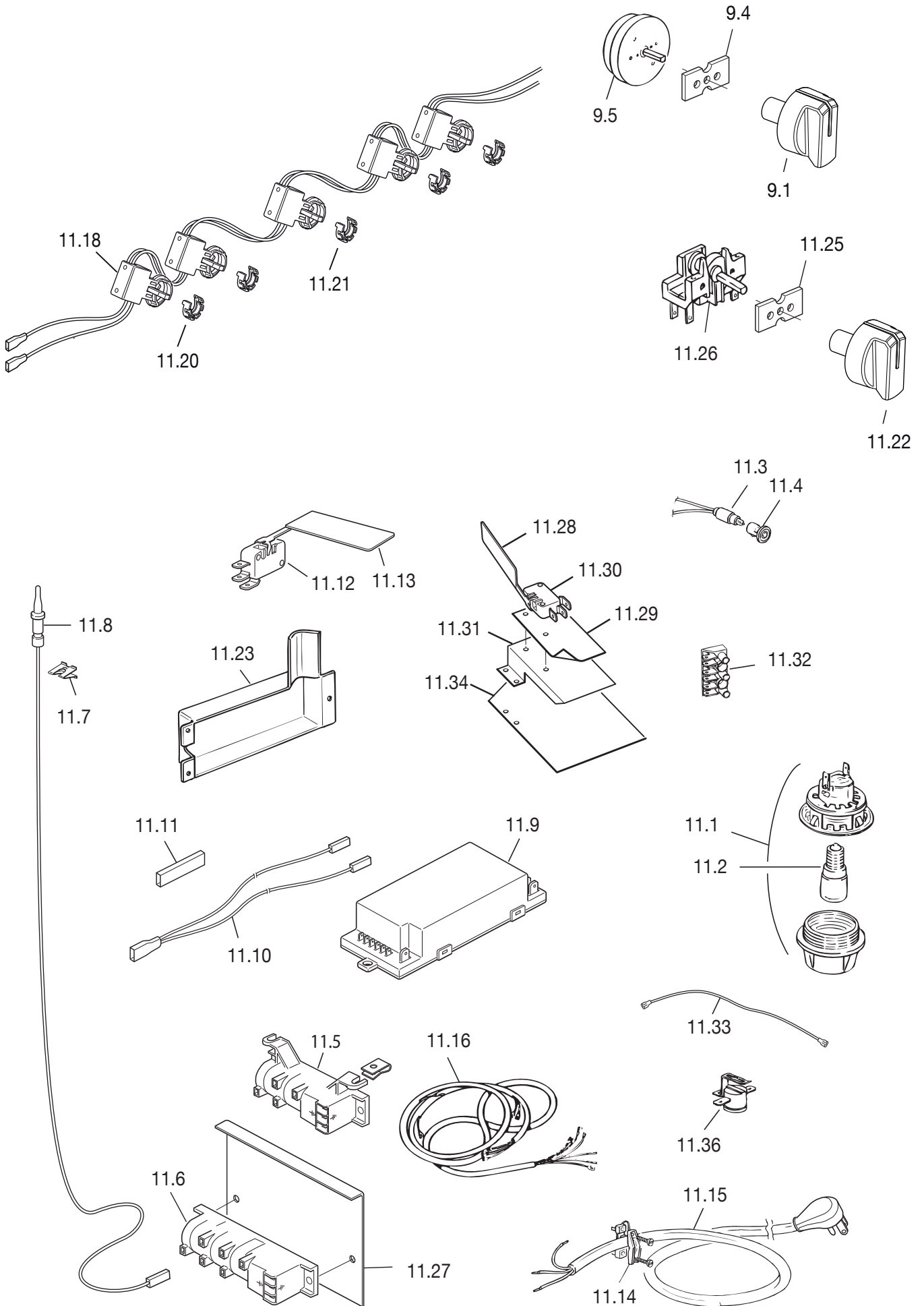
Ref.	Part description	Product code	
		C36TVR031X	
		Feature	Part code
6.1	Burner knob		2183B0E570
6.2	DUAL burner knob		218398E570
6.3	Tap	DUAL - Ø 33/57	106330US
6.4	Tap	SR - Ø 0.33	106271GN
		TR - Ø 0.63	106273GN
6.5	Tap fixing screw		001282
6.6	Tap bracket		094654
6.8	SR burner cup		215497
6.9	SR burner head		068132003
6.10	SR burner cap		216154005A
6.12	Injector	Ø 1.39 - G20 - SR	101357 (2pcs)
		Ø 0.80 - G20 - DU	101370
		Ø 1.39 - G20 - DU	101357 (2pcs)
		Ø 0.85 - G31 - SR	101362 (2pcs)
		Ø 0.50 - G31 - DU	101348
		Ø 0.80 - G31 - DU	101370 (2pcs)
6.14	Elbow gasket		053024.1
6.15	Burner cup TR		215500
6.16	Extension pipe		3423601
6.17	Injector TR	Ø 1.70 - G20	101387 (2pcs)
		Ø 1.02 - G31	101388 (2pcs)
6.18	Gas pressure regulator 1/2" NPT		103841
6.19	Inlet pipe - front right	TR	0291313
6.20	Inlet pipe - rear right	SR	0291132
6.21	Inlet pipe - inside central	DUAL	0291310
6.22	Inlet pipe - outside central	DUAL	0291311
6.23	Inlet pipe - rear left	SR	0291137
6.24	Inlet pipe - front left	TR	0291312
6.26	Burner thermocouple	TR - L = 350 mm	107088
		AU - SR = 600 mm	107078
		DUAL - L = 600 mm	107079
6.27	AU - SR Thermocouple nut		214079
	DUAL - Thermocouple nut		214080 - 214081
6.29	Connection		067033
6.30	DUAL tap bracket		094036
6.31	Dual tap fixing screw		001251
6.32	DUAL burner-cup		215507
6.35	TR burner head		068135
6.36	Burner-cap inside	TR	216155005A
6.37	Burner-cap outside	TR	216156005A
6.38	Burner-cup gasket		053165
6.39	Burner DUAL cup gasket		053165
6.40	TR-DUAL burner head		068134
6.41	Burner-cap outside DUAL	TR	216155005A
6.42	Burner-cap inside DUAL	TR	216156005A
6.43	Burner SR cup gasket		053166



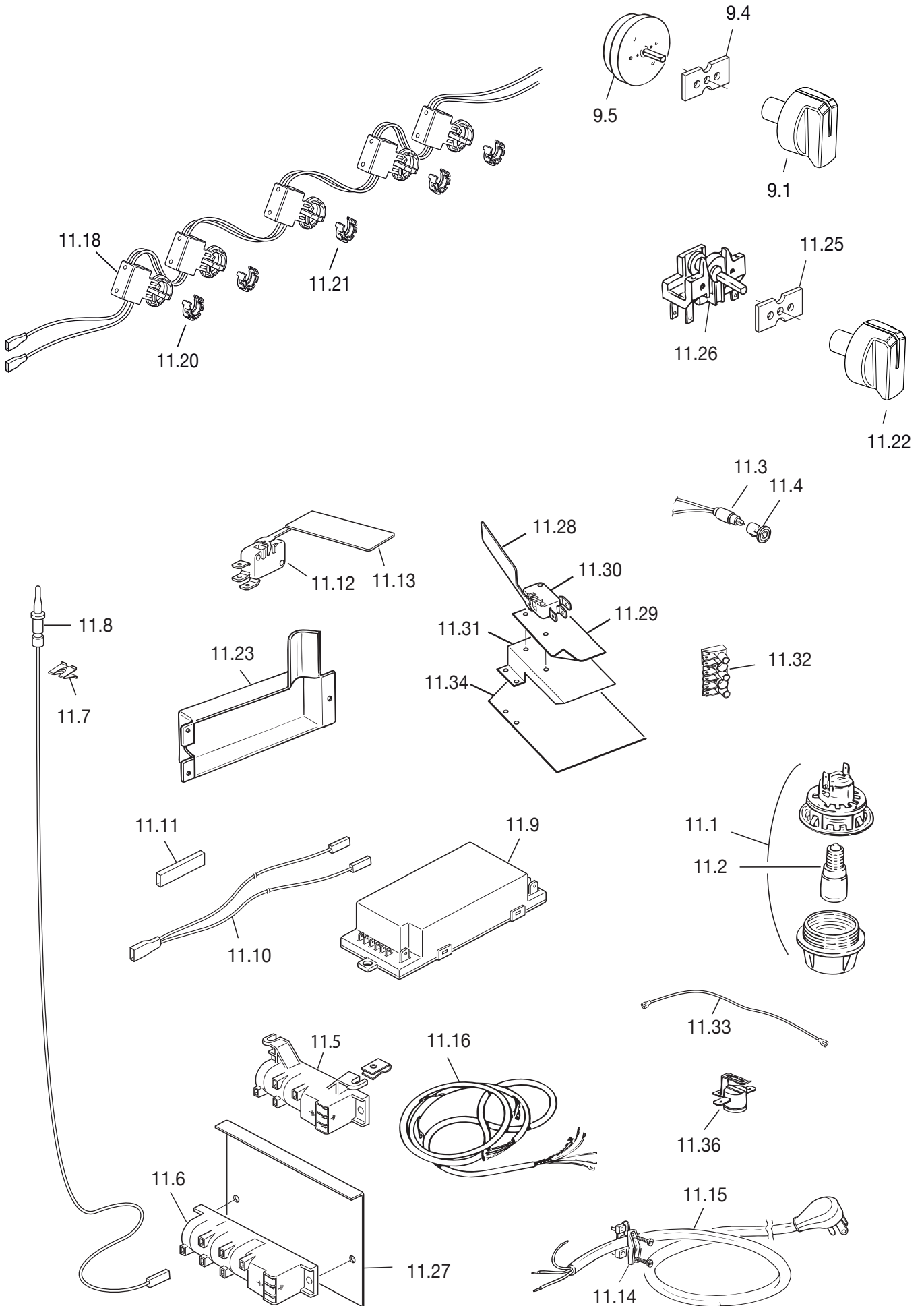
Ref.	Part description	Product code	
		C36TVR031X	
		Feature	Part code
7.29	Oven floor		47E36T01G
7.30	Shelf support		217672
7.31	Oven tray		48B9S001G
7.32	Oven shelf		217674.1
7.33	Grill-pan grid		217537
8.3	Ignition electronic control unit adapter		214078
8.5	Thermostat ignition switch		1031431
8.7	Bracket		094155
8.8	Screw		001189
8.10	Grill burner		215480
8.11	Oven inlet pipe		029828
8.13	Screw		001189
8.14	Broil burner injector	Ø 1.40	101091
		Ø 0.83 - G20	101069
8.15	Oven burner injector	Ø 1.45	101167
		Ø 0.88 - G20	101128
8.16	Oven burner		215481
8.17	Fan motor	120 V	079042
8.18	Fan diffuser		47A36T03G
8.20	Oven burner support		4213603Z
8.21	Thermostat		066198
8.23	Cam		103918
8.24	Switch support		103917
8.25	Broil elbow		067035
8.26	Retaining ring		003039
8.27	Injector support		094551
8.28	Broil inlet pipe		029829
8.29	Oven elbow		067036
8.31	Broil ignition wire		084041
8.37	Oven thermocouple	L=1200	107055
8.38	Broil thermocouple	L=1000	107056
8.40	Clip		213026
8.43	Oven burner igniter		084040
8.44	Oven burner protection		4213604Z
8.45	Oven thermostat knob		2183G0E570



Ref.	Part description	Product code	
		C36TVR031X	
		Feature	Part code
7.1	Shelf support		217672
7.2	Oven shelf		217675.1
7.3	Broiler pan tray		48B6105G
7.4	Broiler pan		48E6104G
7.5	Oven floor		47EN604G
7.6	Guard rail		1031906
8.2	Cam		103918
8.3	Ignition electronic control unit adapter		214078
8.6	Oven burner thermostat		066197
8.7	Bracket		094155
8.8	Screw		001248
8.11	Oven thermocouple	L=1200 mm	107055
8.12	Oven elbow		067036
8.13	Oven burner injector	Ø 1.80	101207
		Ø 1.09	101143
8.14	Oven burner support		4216N01Z
8.15	Oven burner protection		4216N02Z.1
8.16	Oven burner		215474
8.18	Oven inlet pipe		029826
8.19	Gasket		053024.1
8.21	Retaining ring		003039
8.22	Broil elbow		067035
8.23	Broil burner injector	Ø 1.46	101070
		Ø 0.88	101128
8.24	Broil burner		215475
8.25	Broil burner thermocouple	L=1000 mm	107056
8.26	Switch support		103917
8.27	Elbow support		094513
8.28	Broil inlet pipe		029827
8.29	Broil burner support		094548
8.32	Broil ignition wire		084041
8.40	Clip		213026
8.41	Oven burner igniter	L=450	084040
8.42	Fan motor	120 V	079042
8.43	Fan motor insulation		030136.1
8.44	Fan diffuser		47A36T01G
8.45	Oven thermostat knob		2183G0E570



Ref.	Part description	Product code	
		C36TVR031X	
		Feature	Part code
9.1	Alarm knob		218373E571
9.4	Spacer		103948.1
9.5	60' alarm		074009
11.1	Lamp holder		072005
			072011
11.2	Lamp		073114
11.3	Control lamp		073077
11.4	Control lamp cover (Red)		07306202.2
11.5	Burners ignition coil (4P)		082085
11.6	Burners ignition coil (6P)		082084
11.7	Igniter spring	AU - SR	035125
		DU	035126
		TR	035127
11.8	Igniter	A - SR L = 500 mm	084060
		TR - L = 500 mm	084064
		DUAL - L = 650 mm	084069
11.9	Ignition electronic control unit (T-ZERO)		1031391
11.10	Control unit cord		1031641
			1031645
11.11	Cable terminal		056034
11.12	Microswitch		077081
11.13	Microswitch blade		094556
11.14	Wire fastener		052008
11.15	Cord	3x0,75	054136
11.16	Wiring		1132632
11.18	Ignition switches		1031959
11.20	Retaining ring		003116
11.21	Retaining ring DUAL		003112
11.22	Switch knob		2183B7E571
11.23	Terminal block protection		103230.1A
11.25	Spacer		103948.1
11.26	Oven light and fan switch		050067



Ref.	Part description	Product code	
		C36TVR031X	
		Feature	Part code
11.27	Burners ignition coil support		094413
11.28	Microswitch blade		094531
11.29	Microswitch insulation		039060
11.30	Air flow microswitch		077079
11.31	Microswitch support		094532
11.32	Terminal block	40A - 3P	051062
11.33	Cable		103288
11.34	Microswitch insulation		103927
11.36	Cut-off thermostat	55°C	066080
		80°C	066145
-	Gas conversion kit		610365005
-	Users operating instructions		1105780
-	Installation instructions		1105781