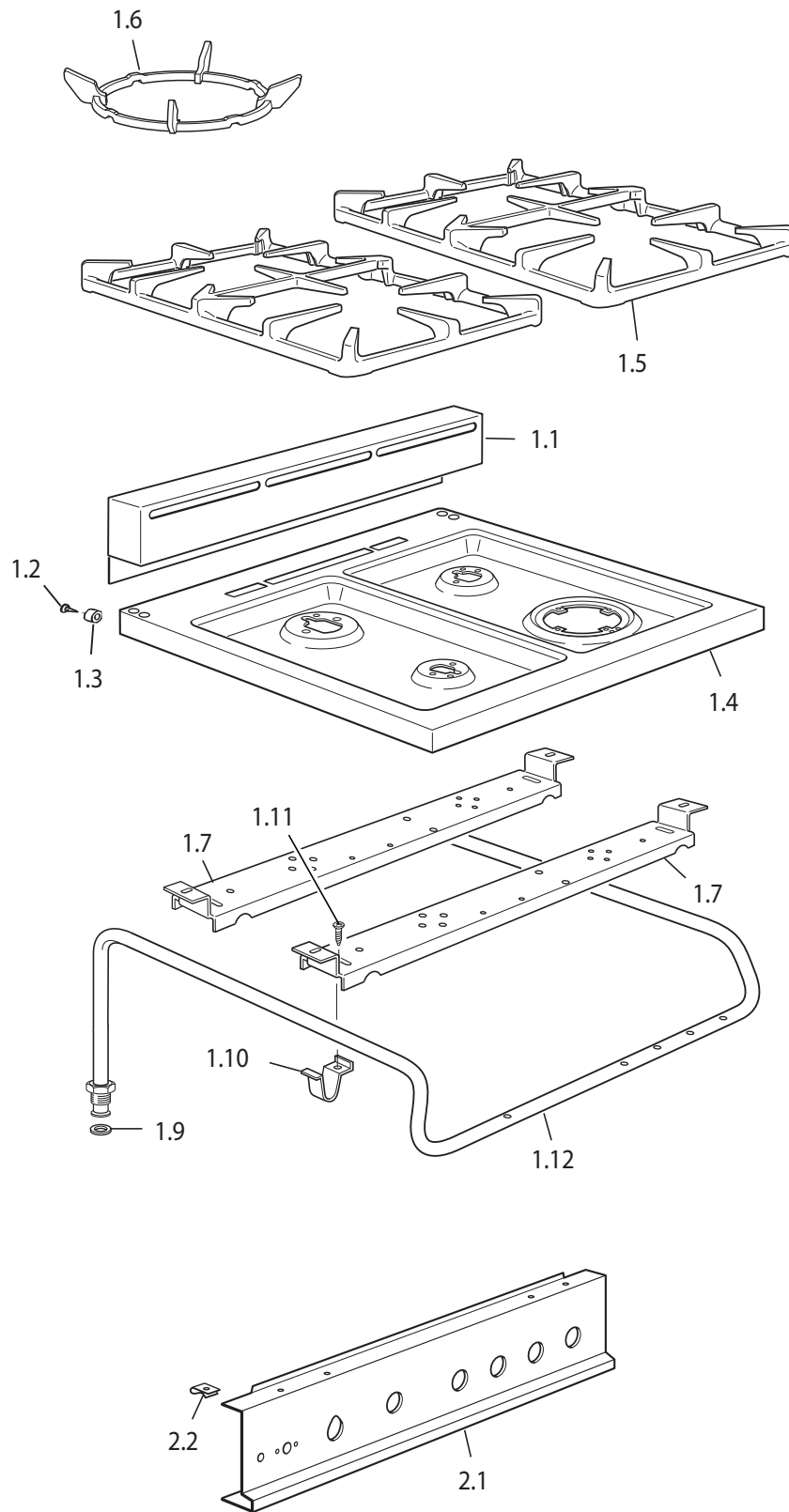


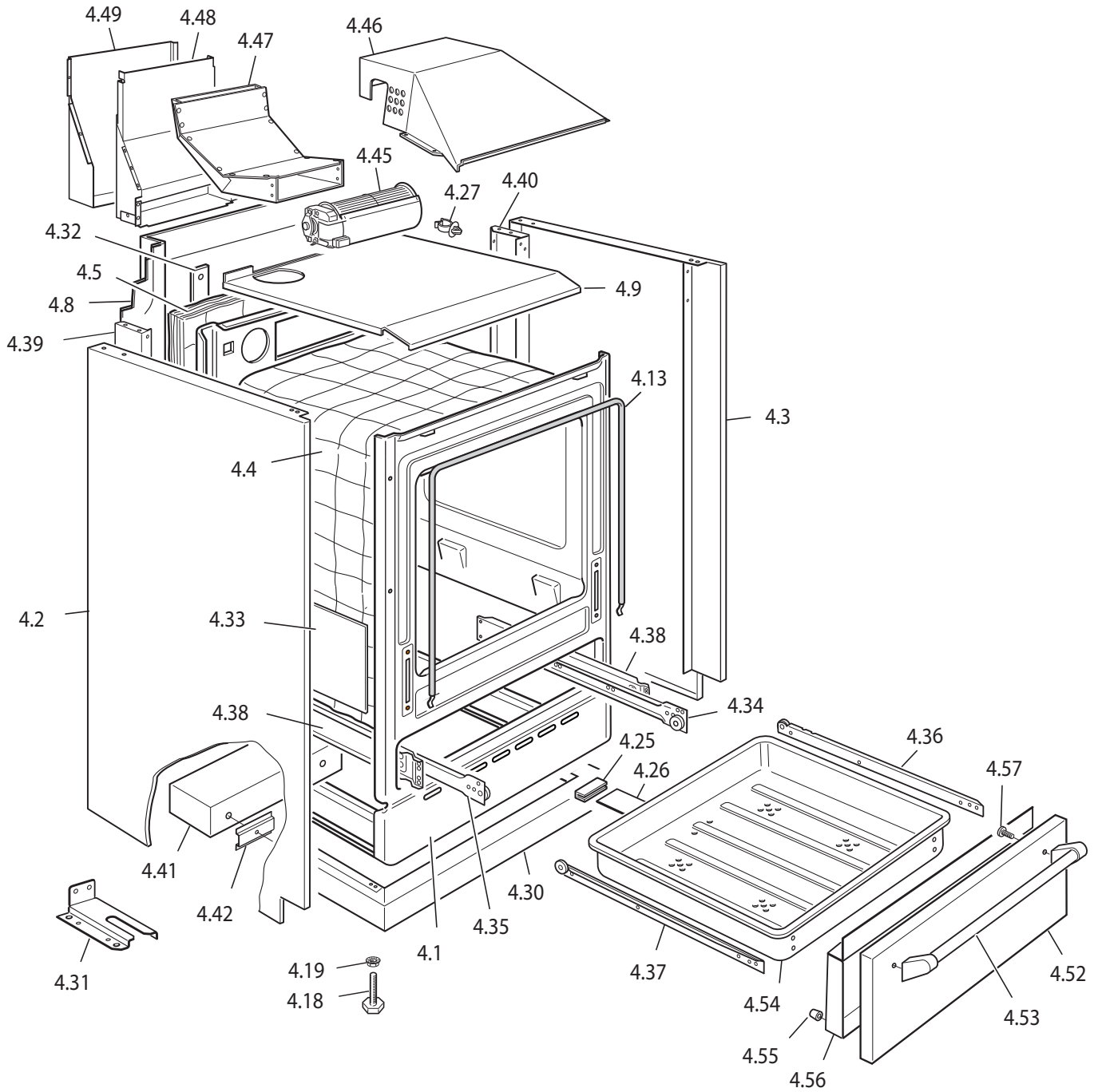
Product: **Gas range**Model: **VEFSGG 244**

Product code	Serial No.	Product remark	Issue No.	Issue Date
C24NVR001X			18.C5645	October 2010

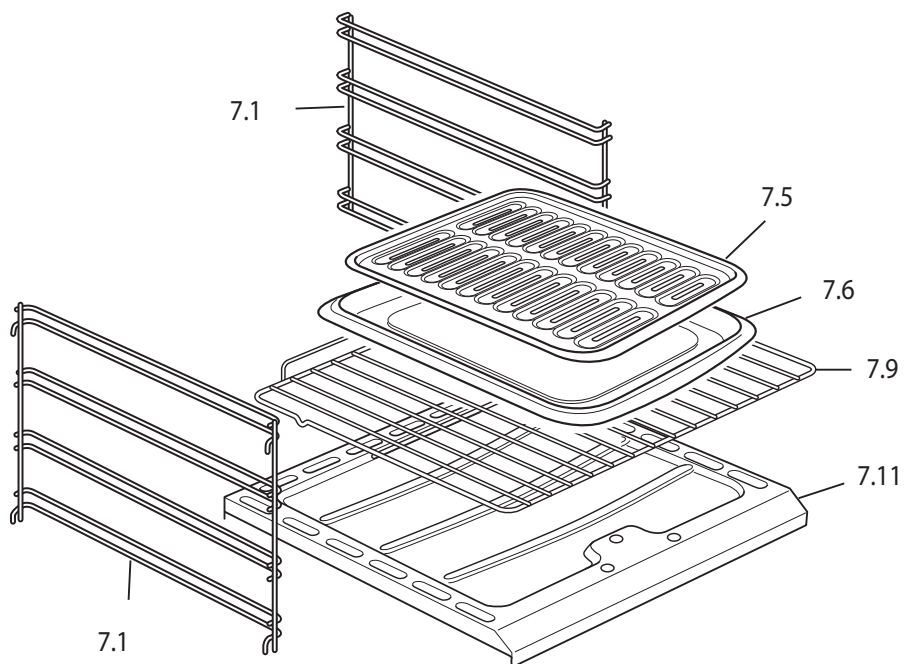
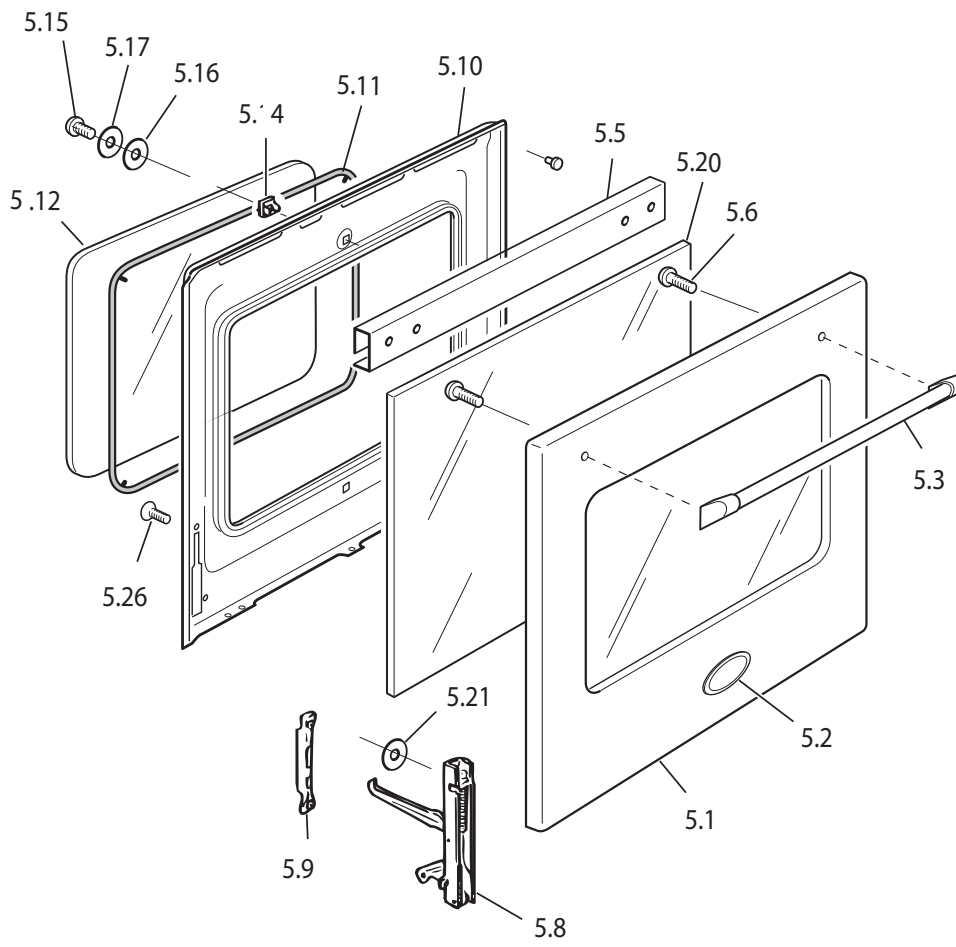
Key part information	
A	Auxiliary burner
SR	Semirapid burner
R	Rapid burner
TR	Triple ring burner



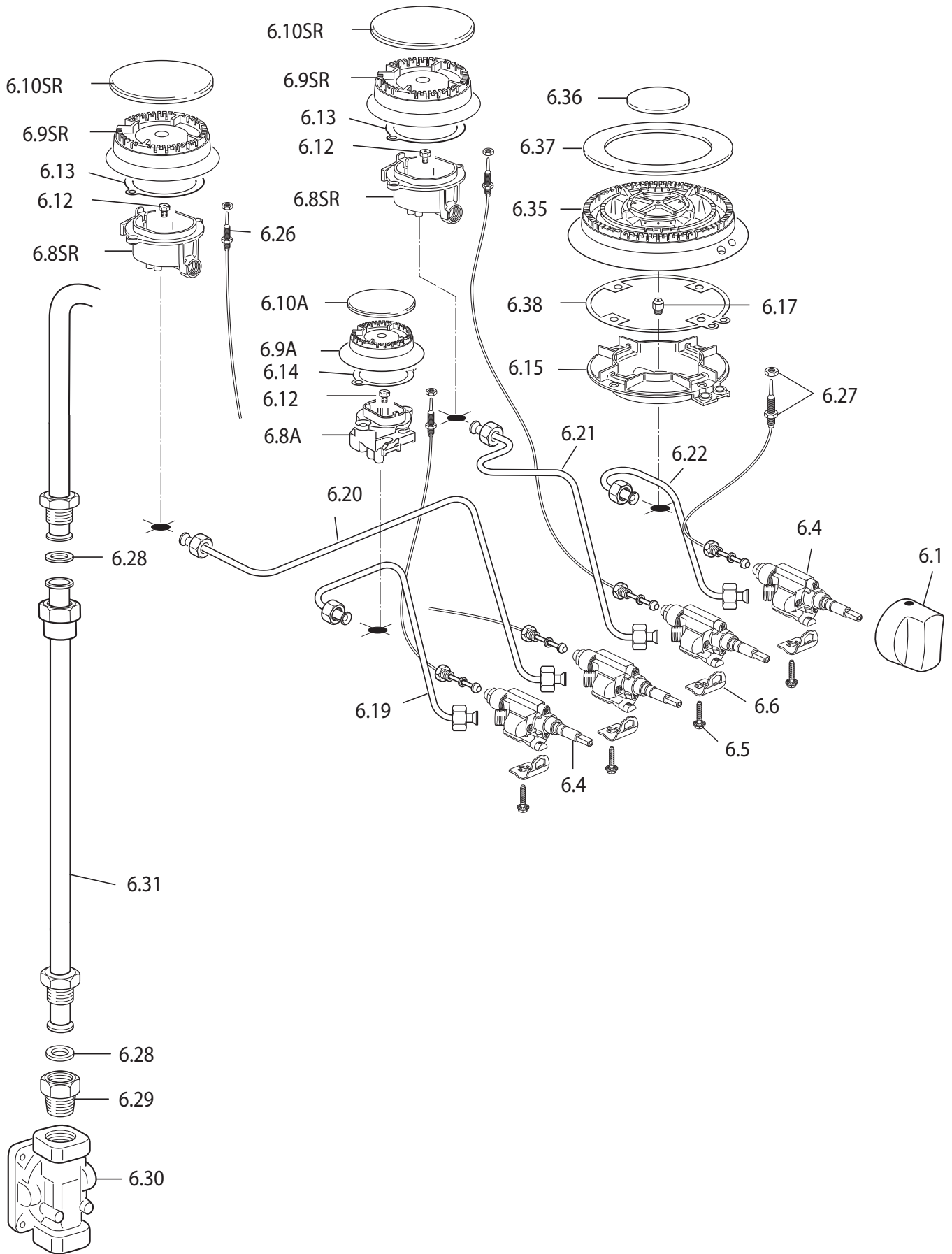
Ref.	Part description	Product code	
		C24NVR001X	
		Feature	Part code
1.1	Rear trim		103970061
1.2	Screw		001130
1.3	Plug		040031002
1.4	Cooktop		33124401S
1.5	Pan-support		217614
1.6	Wok grid		217498
1.7	Burners support		51B6N01
1.9	Gasket		053024.1
1.10	Fixing plate		094254
1.11	Screw		001089
1.12	Manifold		342244001
2.1	Control panel		35C2404SDX
2.2	Clips		213007



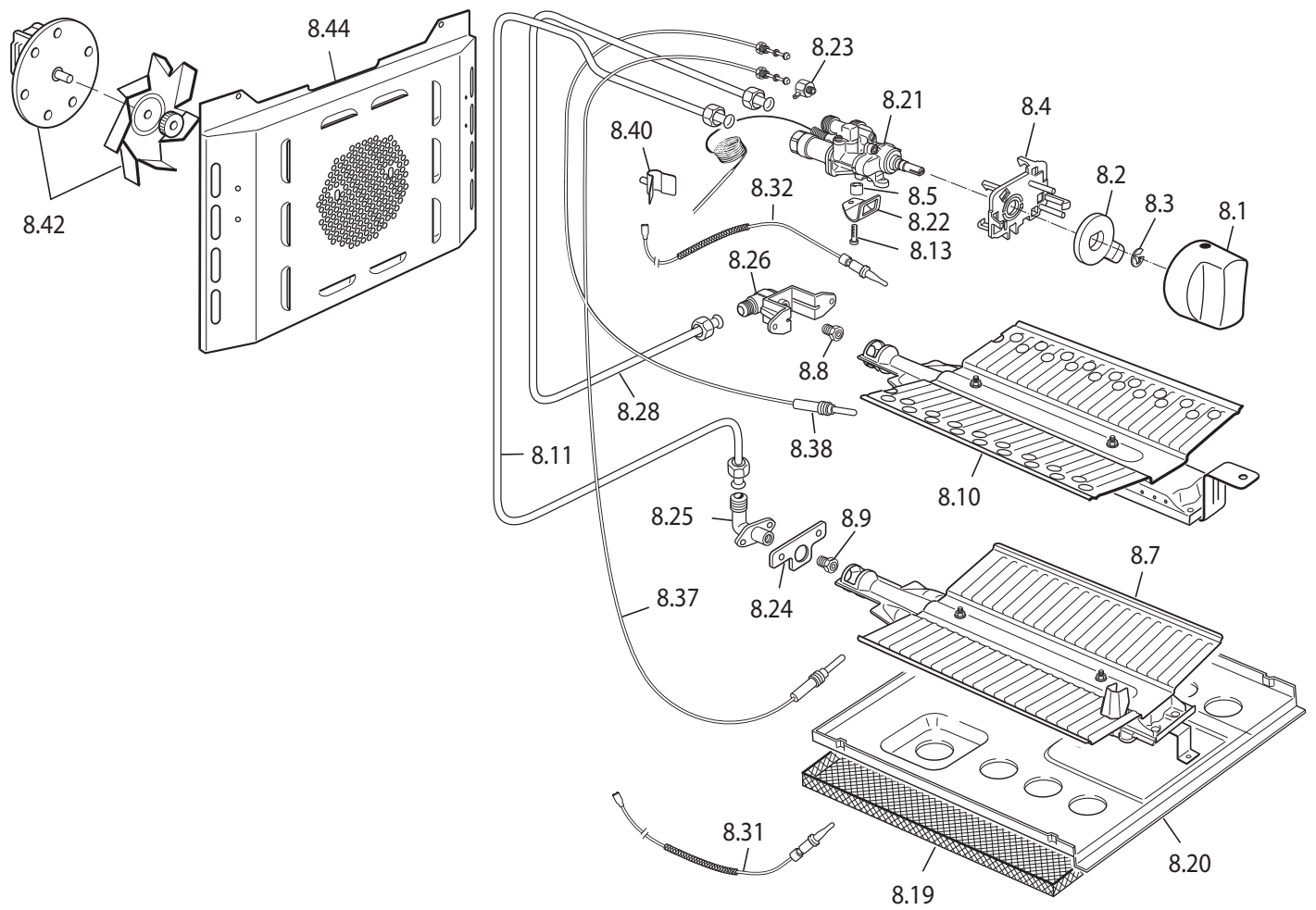
Ref.	Part description	Product code	
		C24NVR001X	
		Feature	Part code
4.1	Oven frame		450241GG21
4.2	Side panel left		36C24S1S
4.3	Side panel right		36C24D1S
4.4	Oven insulation		030159
4.5	Rear insulation		030184
4.8	Rear panel		4116N05SG
4.9	Upper shelter		4216107Z
4.13	Seal		053039
4.18	Shim		103854
4.19	Nut shim		214056
4.25	Rear drawer stopper		053122
4.26	Drawer stopper		103974
4.27	Tube retainer		531533
4.30	Plinth		68061010
4.31	Shim bracket		094495
4.32	Rear insulation support		4219604Z
4.33	Hinge protection		58BN601
4.34	Right rail		103338DX/E
4.35	Left rail		103338SX/E
4.36	Right drawer rail		103338DX/I
4.37	Left drawer rail		103338SX/I
4.38	Rail support		51B6107
4.39	Left rear trim		51B2402
4.40	Right rear trim		51B2401
4.41	Balance weight		103326
4.42	Balance weight bracket		213016
4.45	Tangential fan		079038
4.46	Air conveyor		46A2401Z
4.47	Funnel		46A2402Z
4.48	Gas oven funnel		46A2403Z
4.49	Gas oven funnel protection		46A2404Z
4.52	Drawer front panel		39E2401S
4.53	Drawer handle		037311062
4.54	Drawer		39K6101Y
4.55	Drawer buffer		040061
4.56	Drawer support		4212401Z
4.57	Screw		001187



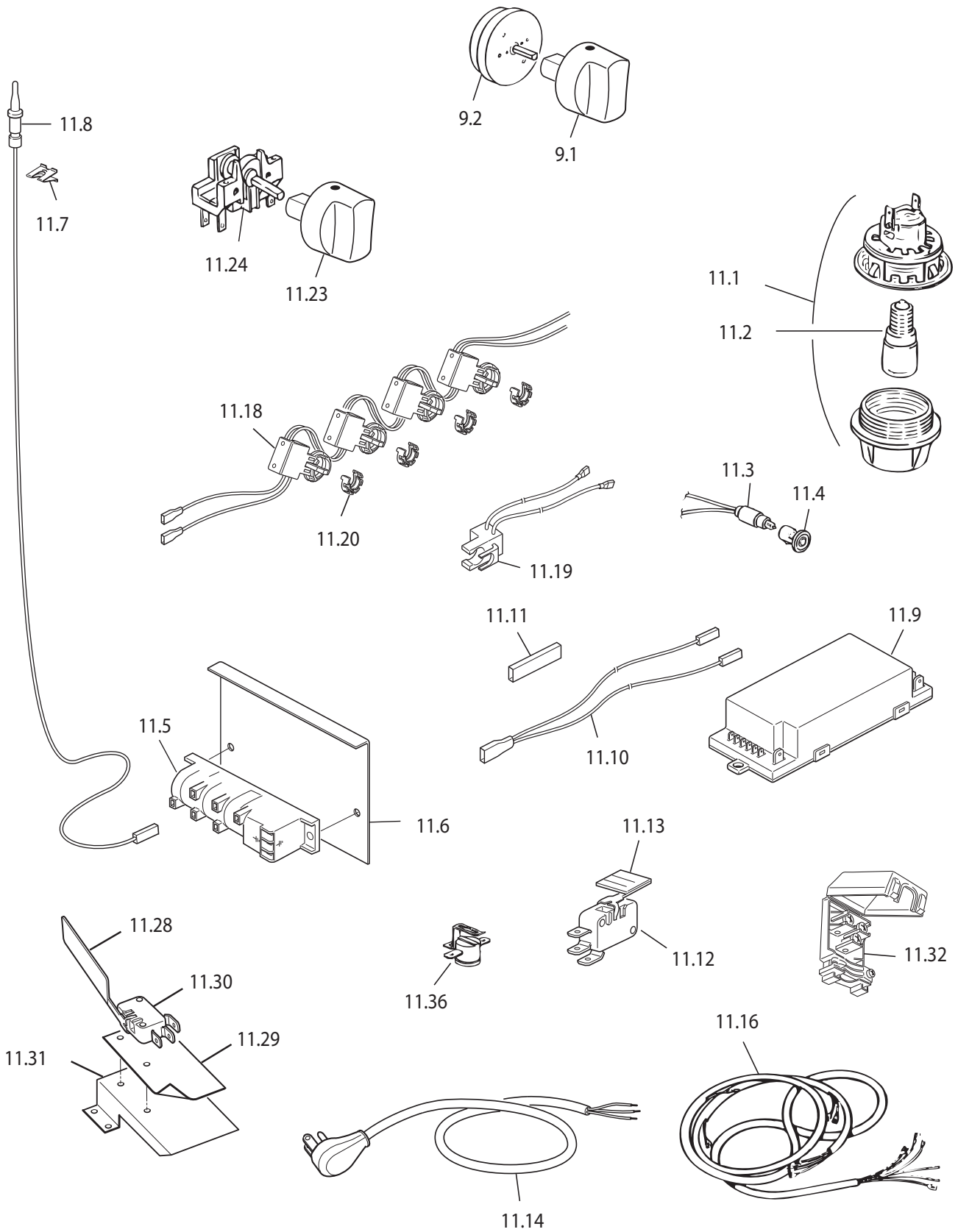
Ref.	Part description	Product code	
		C24NVR001X	
		Feature	Part code
5.1	Door glass		03224001
5.2	Badge		081090.1
5.3	Door handle		037311062
5.5	Fixing bar		4116111
5.6	Screw		001033
5.8	Door hinge (male)		063096
5.9	Door hinge (female)		063066
5.10	Door panel		373FF719G
5.11	Gasket		053084
5.12	Inner glass		0311000.1T
5.14	Nut		214021
5.15	Screw		001143
5.16	Washer		003035
5.17	Washer		103205.1
5.20	Third glass		0312490
5.21	Washer		003030
5.26	Screw		001253
7.1	Shelf support		217672
7.5	Pastry plate		48E6104G
7.6	Broiling pan tray		48B6105G
7.9	Wire shelf		217674.1
7.11	Oven floor		47EN604G



Ref.	Part description	Product code	
		C24NVR001X	
		Feature	Part code
6.1	Burner knob		2183A0E405
6.4	Tap	A - Ø 0.28	106270GN
		SR - Ø 0.33	106271GN
		TR - Ø 0.63	106273GN
6.5	Tap fixing screw		001282
6.6	Tap bracket		094654
6.8A	Burner-cup	A	215465
6.8SR		SR	215466
6.9SR	Burner head	SR	068110003
6.9A		A	068109003
6.10A	Burner-cap	A	216129005A
6.10SR		SR	216130005A
6.12	Injector	A - Ø 0.90	101290
		A - Ø 0.55	101292
		SR - Ø 1.18	101225
		SR - Ø 0.72	101293
6.13	Burner-cup gasket	SR	053104
6.14		A	053103
6.15	Burner-cup	TR	215469
6.17	Injector	TR - Ø 1.70	101291
		TR - Ø 1.02	101294
6.19	Inlet pipe	A	029666
6.20	Inlet pipe left	SR	029679
6.21	Inlet pipe right	SR	029680
6.22	Inlet pipe	TR	029669
6.26	Burner thermocouple	TR - L=250	107044
		L=500	107039
6.27	Thermocouple nut		214057
6.28	Gasket		053024.1
6.29	Connection		067033
6.30	Gas pressure regulator 1/2" NG		103841
6.31	Extension pipe		3426N001
6.35	Burner head	TR	068115003
6.36	Burner-cap inside	TR	216132005A
6.37	Burner-cap outside	TR	216133005A
6.38	Burner-cup gasket		053078



Ref.	Part description	Product code	
		C24NVR001X	
		Feature	Part code
8.1	Oven thermostat knob		2183B8E405
8.2	Cam		103918
8.3	Retaining ring		003040
8.4	Switch support		103888
8.5	Gasket		053045
8.7	Oven burner		215474
8.8	Broil burner injector	Ø 1.46	101070
		Ø 0.88	101128
8.9	Oven burner injector	Ø 1.80	101207
		Ø 1.09	101143
8.10	Broil burner		215475
8.11	Oven inlet pipe		029802
8.13	Screw		001248
8.14	Gasket		053024.1
8.19	Oven burner protection		4216N04Z
8.20	Oven burner support		4216N01Z
8.21	Oven burner thermostat		066152.1
8.22	Bracket		094503
8.23	Ignition electronic control unit adapter		214078
8.24	Elbow support		094513
8.25	Oven elbow		067036
8.26	Broil elbow		067035
8.28	Broil inlet pipe		029803
8.31	Oven igniter with wire		084040
8.32	Broil igniter with wire		084041
8.37	Oven thermocouple	L=1200	107055
8.38	Broil thermocouple	L=1000	107056
8.40	Clip		213015
8.42	Fan motor	120 V	079042
8.44	Fan diffuser		47A36T01G



Ref.	Part description	Product code	
		C24NVR001X	
		Feature	Part code
9.1	Alarm knob		2183E3E375
9.2	60' alarm		074009
11.1	Lamp holder		072005
11.2	Lamp		073013001
11.3	Control lamp		073077
11.4	Control lamp cover (Red)		07306202.2
11.5	6 Burners ignition coil		082072
11.6	Burners ignition coil support		094348
11.7	Igniter spring		035094
11.8	Igniter	L = 250 mm	084028
		L = 630 mm	084029
		TR - L = 500 mm	084033
11.9	Ignition electronic control unit (T-ZERO)		1031391
11.10	Control unit cord		1031421
11.11	Cable terminal		056034
11.12	Microswitch		077081
11.13	Microswitch blade		094556
11.14	Cord		054104
11.16	Wiring		1131939
11.18	Ignition switches		1031419
11.19	Ignition switches		1031435
11.20	Retaining ring		003077
11.23	Switch knob		2183B7E375
11.24	Oven light/roisserie switch		050067
11.28	Microswitch blade		094531
11.29	Microswitch insulation		039060
11.30	Air flow microswitch		077079
11.31	Microswitch support		094532
11.32	Terminal block		051067
11.36	Cut-off thermostat	55°C	066080
-	LPG gas conversion kit		6106N40022
-	Users operating instructions		1103634
-	Installation instructions		1103635