



Product code:

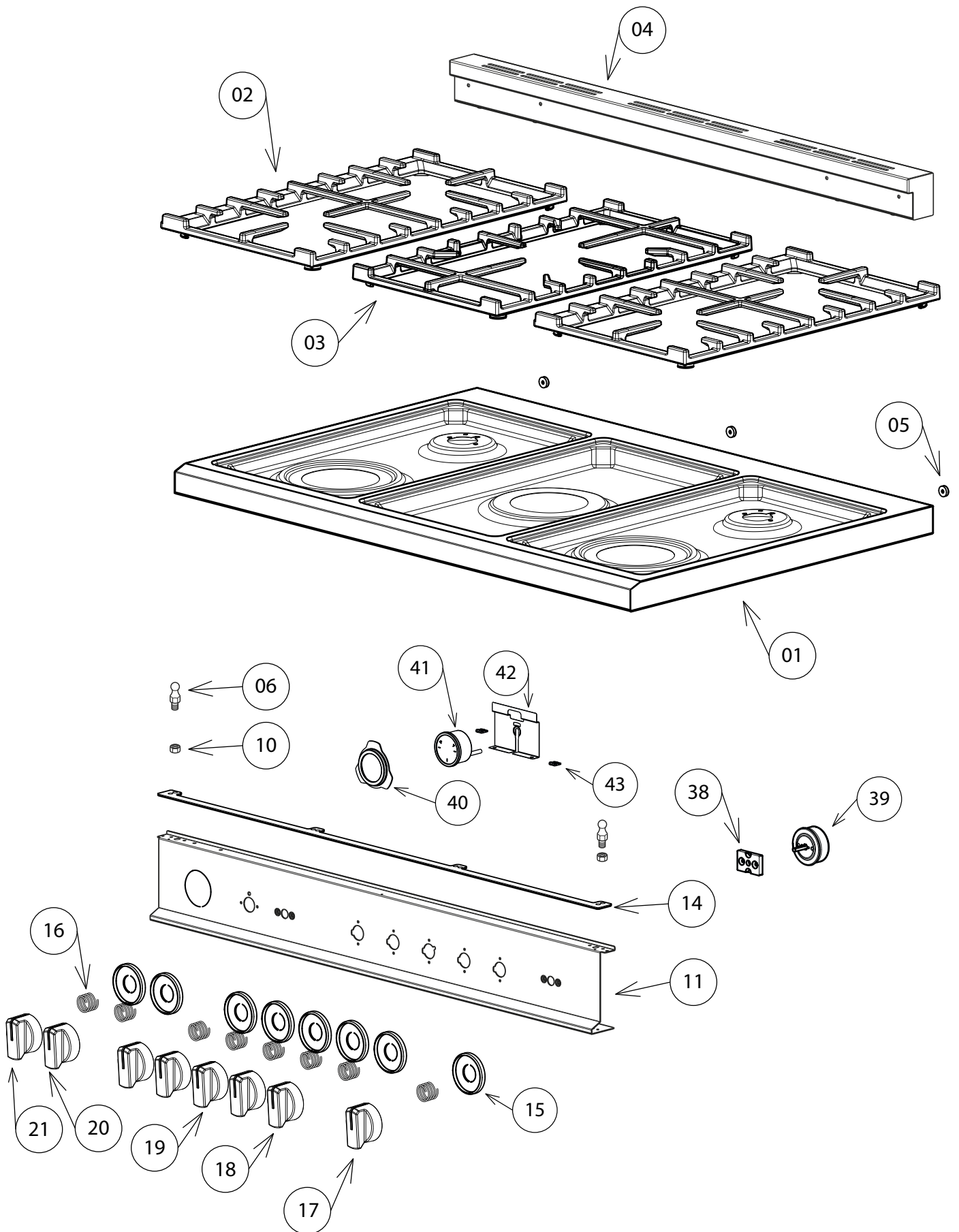
C36GVR001X

Product : **Cooker**

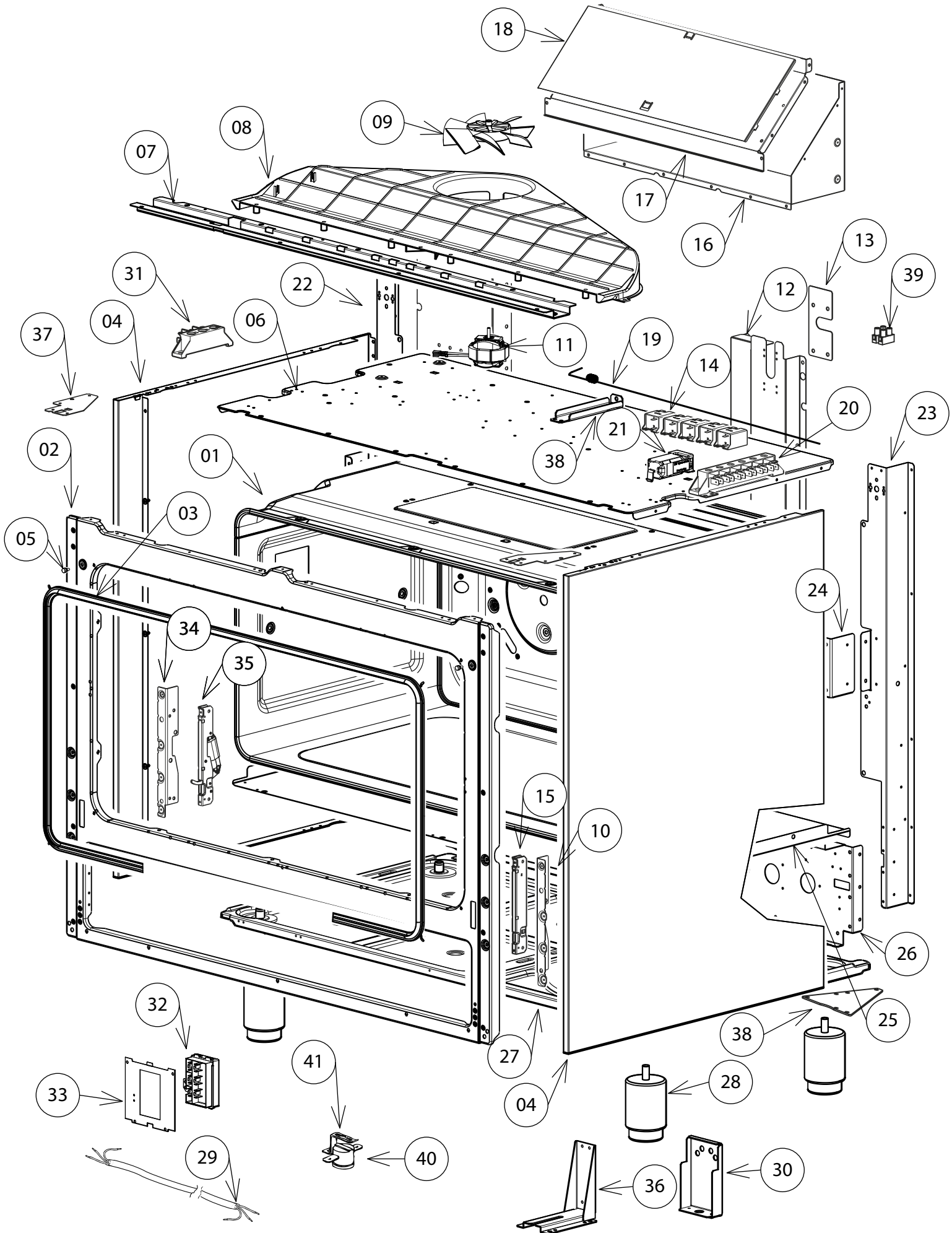
Model : **VDFSGG365SS**

| Product code | Serial no. | Product remark | Issue no. | Issue date |
|-------------------|------------|----------------|-----------|--------------|
| C36GVR001X | | | | January 2019 |

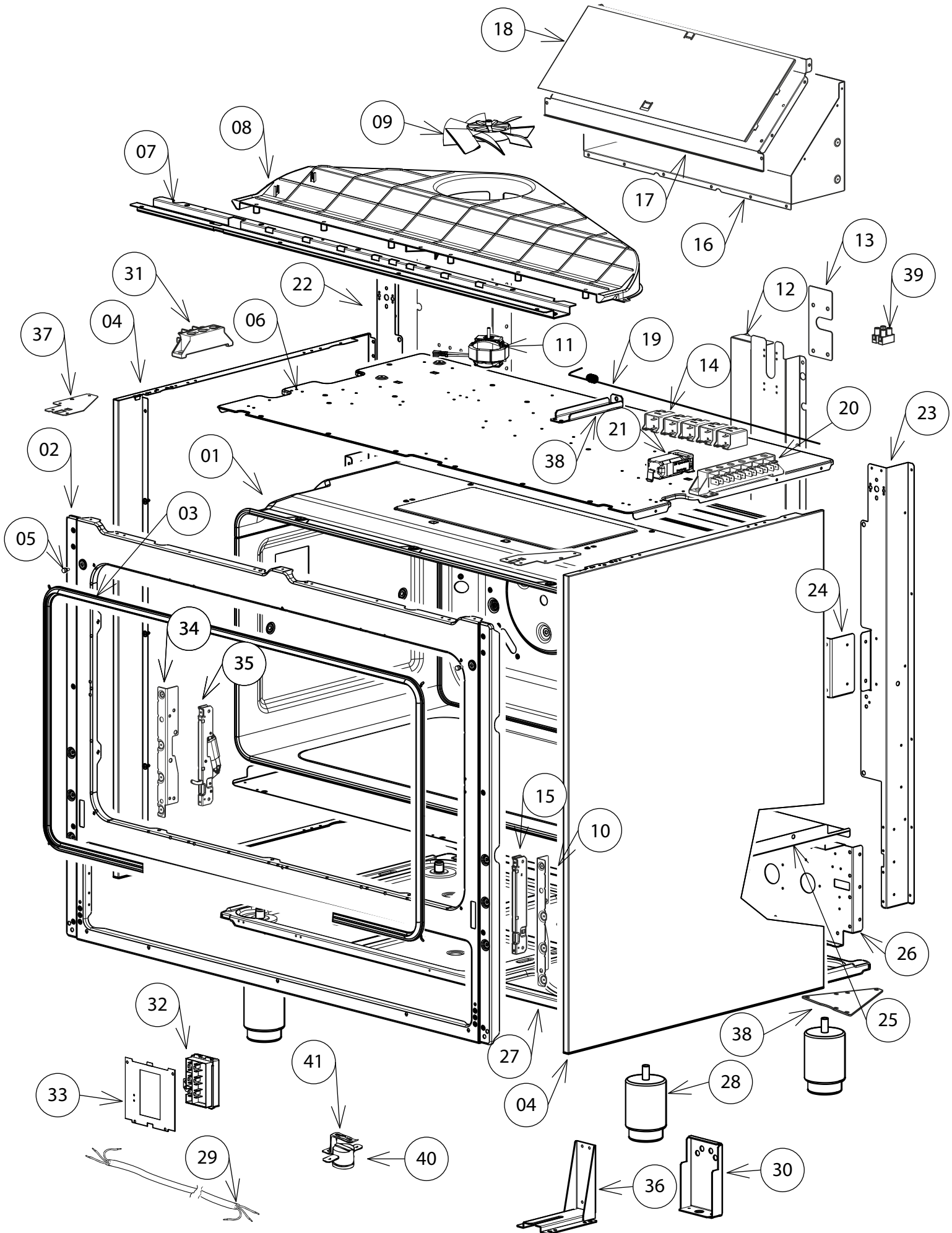
| Key part information | |
|----------------------|--|
| | |



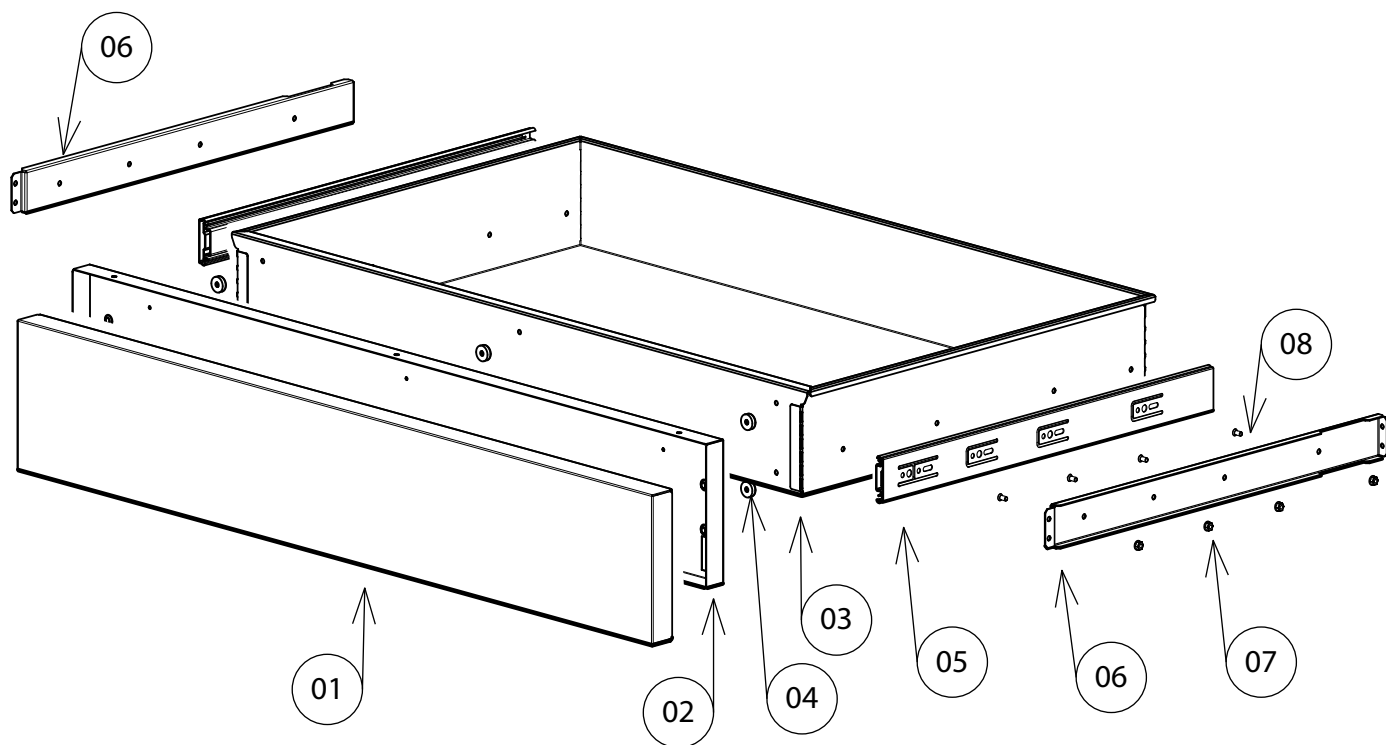
| Ref. | Part description | Product code | |
|------|---------------------------|-------------------|-------------|
| | | C36GVR001X | |
| | | Feature | Part code |
| 01 | HOB TOP LASERED | | 33136507S |
| 02 | PAN SUPPORT | | 217751 |
| 03 | CENTRAL PAN SUPPORT | | 217752 |
| 04 | REAR TRIM | | 1031881061A |
| 05 | REAR SPACING | | 040041001 |
| 06 | PIN | | 103615 |
| 10 | NUT | | 214062 |
| 11 | CONTROL PANEL | | 35C9G18LVR |
| 14 | UPPER TRIM | | 51B9G10Z |
| 15 | KNOB RING | | 218000G574 |
| 16 | KNOB SPRING | | 035036 |
| 17 | TIMER KNOB | | 218373E571 |
| 18 | GAS KNOB | | 2183B0E619 |
| 19 | GAS KNOB DUAL | | 218398E619 |
| 20 | SWITCH KNOB | | 2183B7E571 |
| 21 | OVEN KNOB | | 2183B6E619 |
| 38 | SPACER | | 103948.1 |
| 39 | TIMER | | 074009 |
| 40 | THERMOMETER CEWAL RING | | 1031961E |
| 41 | THERMOMETER CEWAL | | 074143 |
| 42 | THERMOMETER CEWAL SUPPORT | | 094964 |
| 43 | CLIP | | 213007 |



| Ref. | Part description | Product code | |
|------|-----------------------------|-------------------|------------|
| | | C36GVR001X | |
| | | Feature | Part code |
| 01 | OVEN CUBE | | 4509G1GG41 |
| 02 | BODY FRONT PANEL | | 45B9G001G |
| 03 | SEAL | | 053205 |
| 04 | SIDE PANEL | | 36C36G01S |
| 05 | RUBBER | | 040076 |
| 06 | COOLING FAN SUPPORT | | 4219G04Z |
| 07 | CONTROL PANEL TRIM | | 51B9G20Z |
| 08 | SHROUD COOLING FAN | | 1031842 |
| 09 | WINGS COOLING FAN | | 1031843 |
| 10 | SUPPORT FEMALE HINGE | | 094897 |
| 11 | TANGENTIAL FAN MOTOR | | 079080 |
| 12 | REAR PANEL | | 4119G03Z |
| 13 | BRACKET | | 094950 |
| 14 | IGNITION COIL | 6P | 082084 |
| 15 | SOFT CLOSE FEMALE HINGE | | 063165 |
| 16 | CHIMNEY | | 46E36G01 |
| 17 | CHIMNEY SHELTER | | 46H36G01 |
| 18 | CHIMNEY PROTECTION | | 42136G01Z |
| 19 | SPRING REAR INSULATION | | 035130 |
| 20 | TERMINAL BLOCK | | 051037 |
| 21 | IGNITION COIL | | 082069 |
| 22 | TRIM REAR OVEN SUPPORT LH | | 51B9G05Z |
| 23 | TRIM REAR OVEN SUPPORT RH | | 51B9G06Z |
| 24 | REAR COUPLER | | 094887 |
| 25 | LOWER PROTECTION | | 4219G14Z |
| 26 | TRIM REAR OVEN SUPPORTLOWER | | 4219G03Z |
| 27 | LOWER ELEMENT COVER | | 45K96004Z |
| 28 | SHIM | | 1031807 |
| 29 | CORD | | 054136 |
| 30 | ANTI TILT BRACKET | | 094912 |
| 31 | TERMINAL BLOCK | | 051062 |
| 32 | TERMINAL BLOCK | | 051072 |
| 33 | TERMINAL BLOCK SUPPORT | | 51B9E12 |
| 34 | SUPPORT FEMALE HINGE | | 094896 |

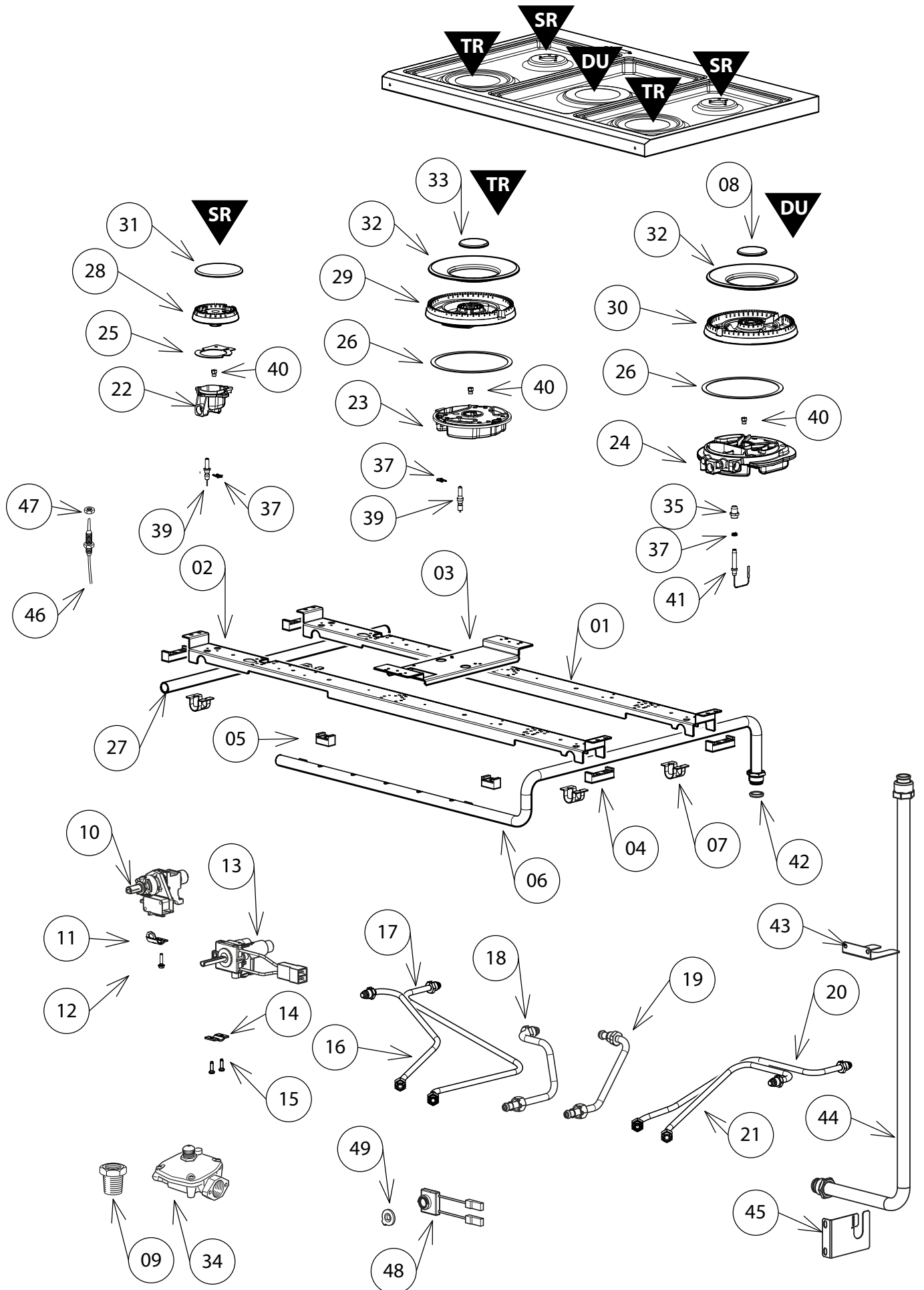


| Ref. | Part description | Product code | |
|------|-------------------------|-------------------|-----------|
| | | C36GVR001X | |
| | | Feature | Part code |
| 35 | SOFT CLOSE FEMALE HINGE | | 063164 |
| 36 | SHIM BRACKET | | 094755 |
| 37 | BRACKET | | 094891 |
| 38 | FEET SUPPORT | | 094913 |
| 39 | TERMINAL BLOCK | | 051036 |
| 40 | CUT-OFF THERMOSTAT | | 066145 |
| 41 | LIMITER SUPPORT | | 103523 |
| | | | |
| NI | IGNITION CABLE | | 1031960 |
| NI | CABLE | | 103288 |
| NI | HARNESS LAMP SX DX | | 1132483 |
| NI | WIRING | | 1132500 |
| NI | LAMP INSULATION | | 030229.1 |
| NI | OVEN INSULATION | | 030286 |
| NI | REAR INSULATION | | 030287 |

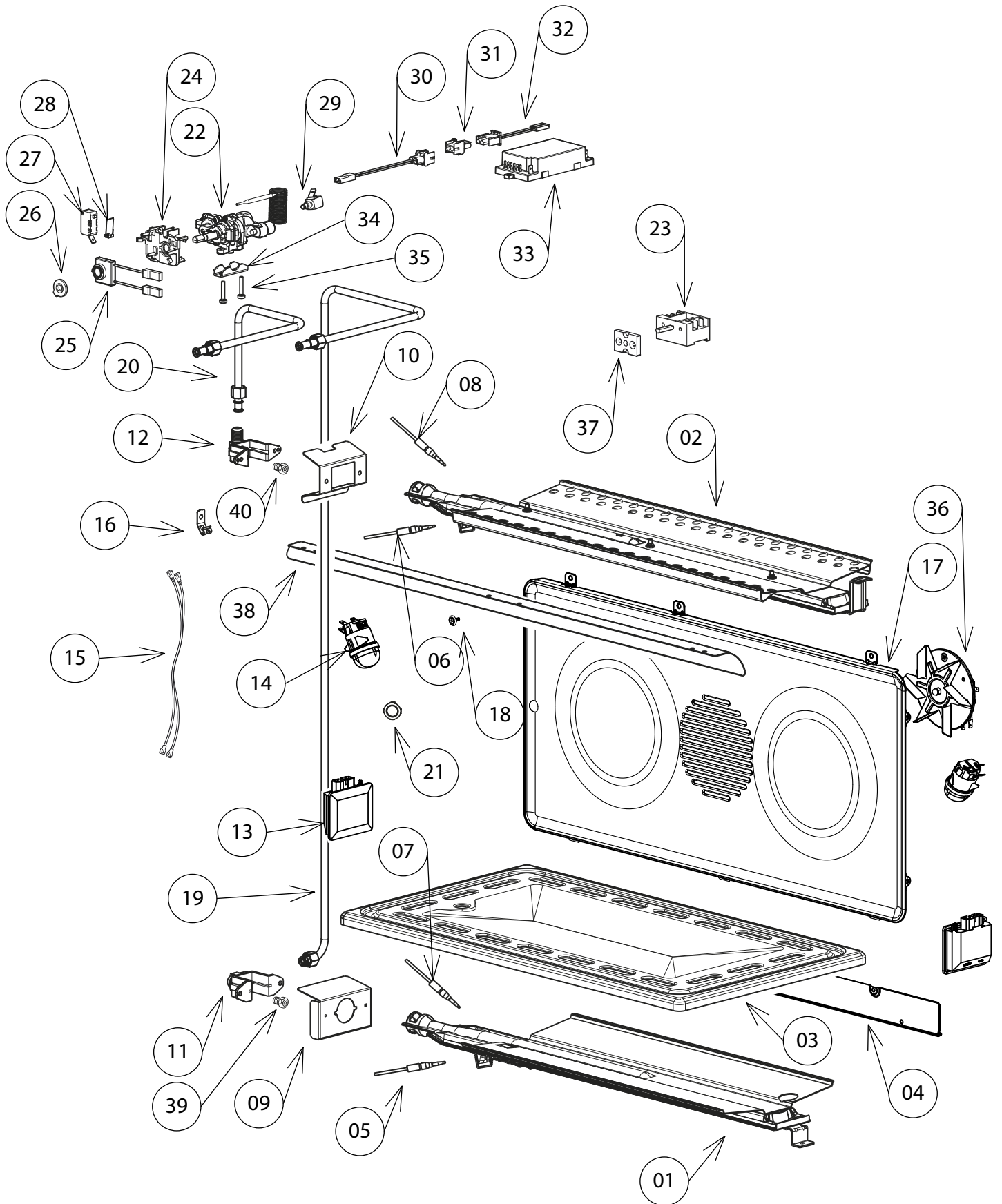


| Ref. | Part description | Product code | |
|------|---------------------------|-------------------|------------|
| | | C36GVR001X | |
| | | Feature | Part code |
| 01 | LOWER PANEL | | 371V9G02L |
| 02 | INSIDE PANEL | | 373V9G01A |
| 03 | DRAWER | | 39K9G01X.1 |
| 04 | SPACER | | 1031909 |
| 05 | DRAWER RAIL | | 103881A |
| 06 | TRIM SUPPORT RAIL DRAWER | | 51B9G08Z |
| 07 | NUT | | 214037 |
| 08 | SCREW M4X8,5TSP D6,3 ZN/W | | 001187 |

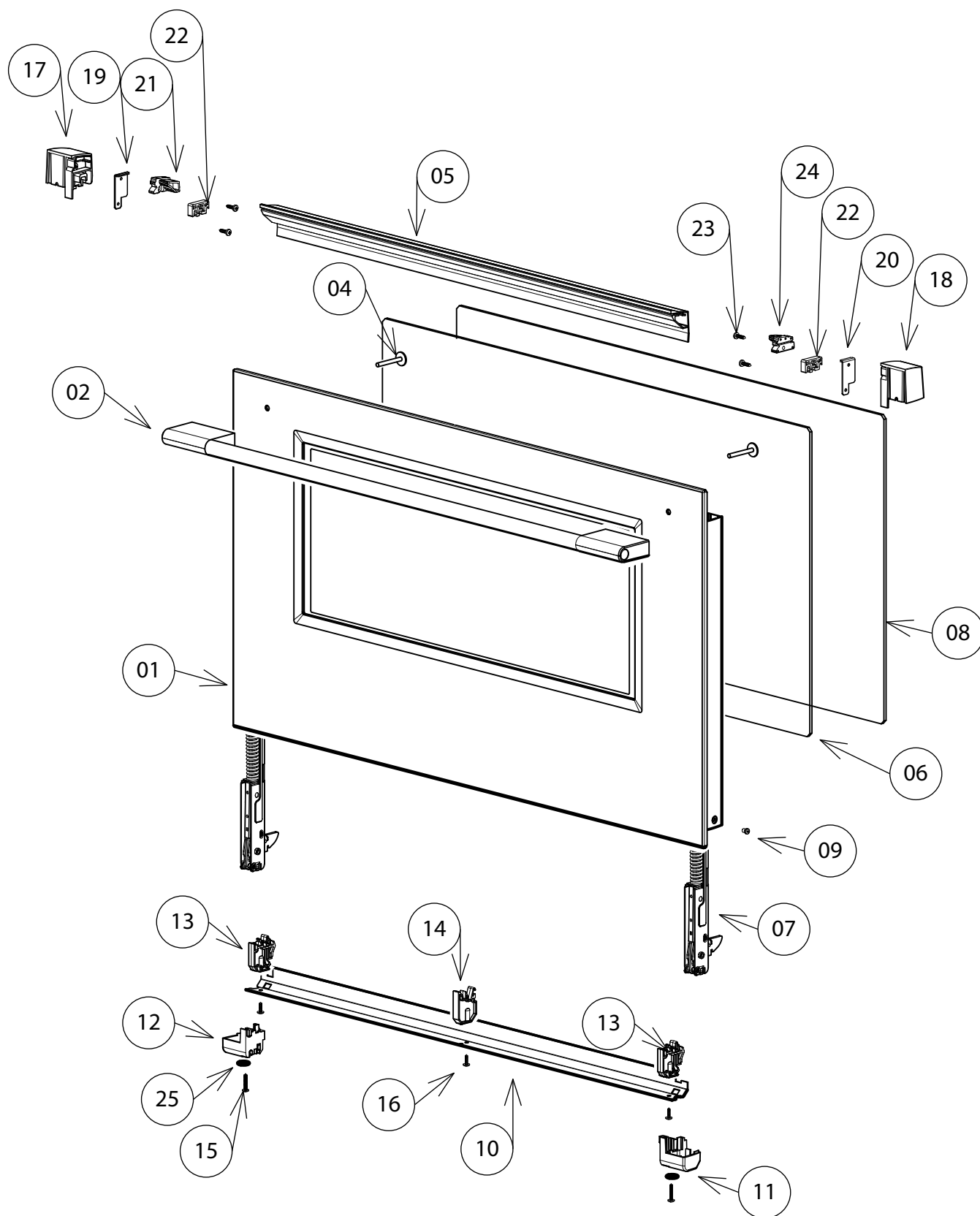
| Ref. | Part description | Product code | |
|------|------------------------------|-------------------|------------|
| | | C36GVR001X | |
| | | Feature | Part code |
| 01 | BURNER SUPPORT | | 51B9S01 |
| 02 | BURNER SUPPORT | | 51B9S06.1 |
| 03 | BURNER SUPPORT | | 51B9S08 |
| 04 | SPACER | | 1031639 |
| 05 | SPACER | | 1031840 |
| 06 | MANIFOLD | | 34236G5002 |
| 07 | BRACKET | | 094793 |
| 08 | INNER BURNER-CAP | | 216155005A |
| 09 | CONNECTION | | 067033 |
| 10 | TAP | SR - Ø0.33 | 106271US |
| | | TR - Ø0.63 | 106273US |
| 11 | BRACKET | | 094654 |
| 12 | SCREW M4 T/ES.STAFFA DEFENDI | | 001282 |
| 13 | TAP | DUAL Ø33/57 | 106330US |
| 14 | BRACKET | | 094155 |
| 15 | SCREW M4 STAFFA DUAL SBF | RoH | 001251 |
| 16 | TRIPLE RING LEFT INLET PIPE | | 0291273 |
| 17 | SR LEFT INLET PIPE | | 0291274 |
| 18 | DUAL BURNER INLET PIPE INNER | | 0291271 |
| 19 | DUAL BURNER INLET PIPE OUTER | | 0291272 |
| 20 | SR RIGHT INLET PIPE | | 0291275 |
| 21 | TRIPLE RING RIGHT INLET PIPE | | 0291276 |
| 22 | SR BURNER-CUP | | 215497 |
| 23 | TRIPLE BURNER-CUP | | 215500 |
| 24 | DUAL BURNER-CUP | | 215507 |
| 25 | SEAL SR | | 053166 |
| 26 | SEAL 3C | | 053165 |
| 27 | PIPE ANCHORAGE | | 3429G01 |
| 28 | SPREADER SR AR DEF | | 068152 |
| 29 | SPREADER TR AR DEF | | 068144 |
| 30 | SPREADER DUAL WOK AL AR | | 068149 |
| 31 | SR BURNER-CAP | | 216154005A |
| 32 | OUTER BURNER-CAP | | 216156005A |
| 33 | CAP INNER TR DEF | | 216167005A |
| 34 | PRESSURE REGULATOR | | 103841 |
| 35 | NUT | | 214081 |
| 37 | IGNITER SPRING | AU - SR | 035125 |
| | | DUAL | 035126 |
| | | TR | 035127 |



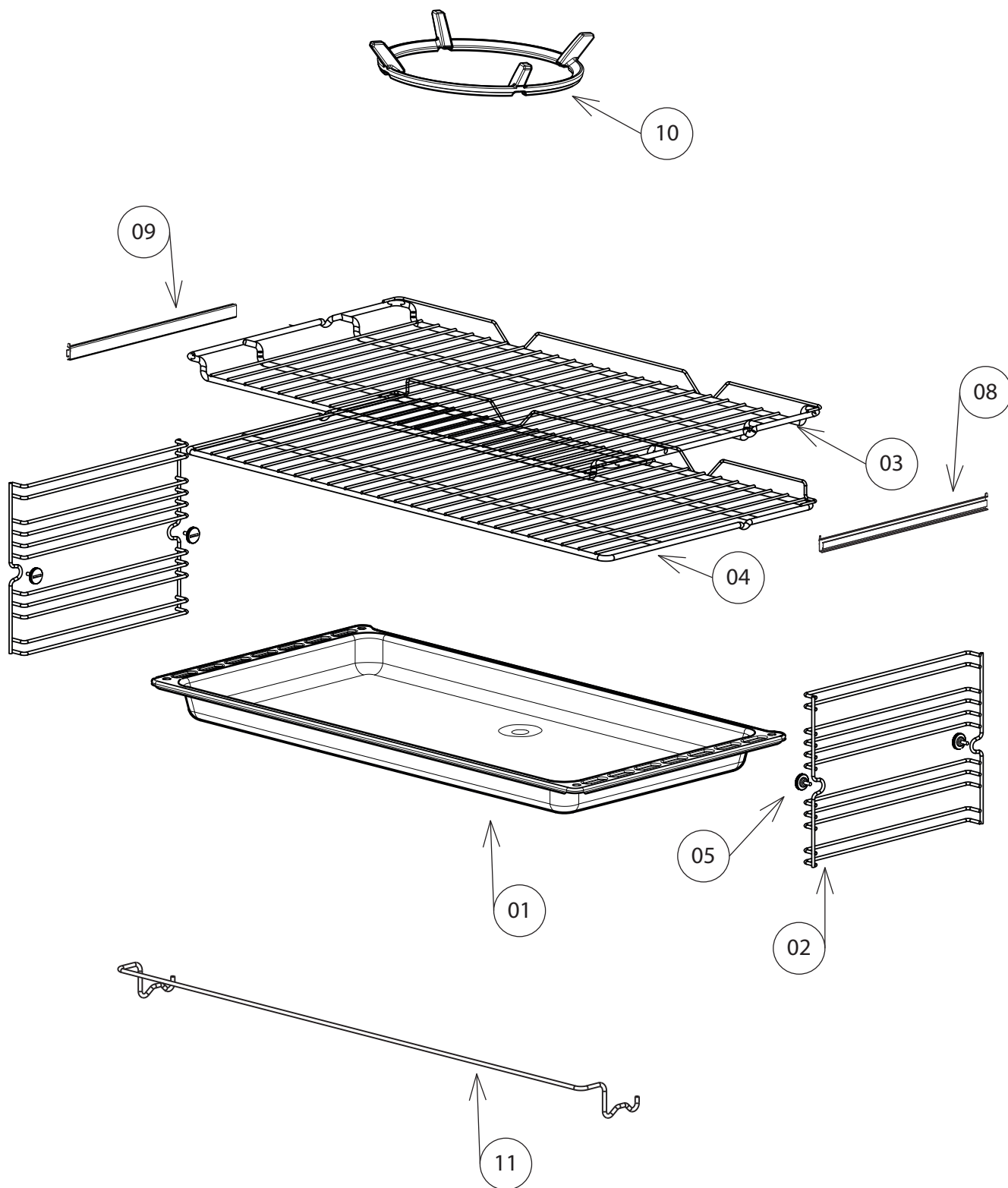
| Ref. | Part description | Product code | |
|------|------------------------------|-------------------|---------------|
| | | C36GVR001X | |
| | | Feature | Part code |
| 39 | ELECTRODE | A - SR - L= 800 | 084061 |
| | | A - SR - L= 350 | 084062 |
| | | TR - L= 350 | 084063 |
| | | TR - L = 900 | 084065 |
| 41 | SPARK PLUG | DUAL - L = 650 | 084069 |
| 40 | INJECTOR G20 | Ø 1.39 AU - SR | 101357 (2pcs) |
| | | Ø 1.70 TR | 101431 (2pcs) |
| | | Ø 0.80 DU IN | 101370 |
| | | Ø 1.39 DU OUT | 101357 (2pcs) |
| 40 | INJECTOR G31 | Ø 0.85 AU - SR | 101362 (2pcs) |
| | | Ø 1.02 TR | 101388 (2pcs) |
| | | Ø 0.50 DU IN | 101348 |
| | | Ø 0.80 DU OUT | 101370 (2pcs) |
| 42 | GASKET | | 053024.1 |
| 43 | INLET PIPE EXTENSION SUPPORT | | 094909 |
| 44 | INLET PIPE EXTENSION | | 3423604 |
| 45 | INLET PIPE EXTENSION SUPPORT | | 094921 |
| 46 | THERMOCOUPLE | A - SR - L= 600 | 107078 |
| | | DUAL - L= 600 | 107079 |
| | | TR - L= 350 | 107088 |
| | | TR - L= 500 | 107094 |
| 47 | THERMOCOUPLE NUT | AU - SR - TR | 214079 |
| | | DUAL | 214080 |
| 48 | IGNITION SWITCHES | | 1031959 |
| 49 | RETAINING RING | AU - SR - TR | 003116 |
| | | DUAL | 003112 |



| Ref. | Part description | Product code | |
|------|----------------------------------|-------------------|-----------|
| | | C36GVR001X | |
| | | Feature | Part code |
| 01 | OVEN BURNER | | 215525 |
| 02 | GRILL BURNER | | 215526 |
| 03 | OVEN FLOOR | | 47EF901G |
| 04 | TRIM ELEMENT BAKE | | 51B9G07Z |
| 05 | THERMOCOUPLE OVEN | | 107105 |
| 06 | THERMOCOUPLE GRILL | | 107106 |
| 07 | SPARK PLUG | | 084040 |
| 08 | SPARK PLUG | | 084041 |
| 09 | BRACKET | | 094918 |
| 10 | BRACKET | | 094919 |
| 11 | ELBOW | | 067035 |
| 12 | ELBOW | | 067041 |
| 13 | SIDE LAMP HOLDER | | 072035 |
| 14 | LAMP HOLDER | | 072034 |
| 15 | HARNESS SIDE LAMP | | 1132482 |
| 16 | CLIP | | 213023 |
| 17 | FAN DIFFUSER | | 47A9G04G |
| 18 | SCREW 8PX9,5 C/RD.OSC.ZN/N | | 001172 |
| 19 | OVEN INLET PIPE | | 0291289 |
| 20 | GRILL BURNER | | 0291290 |
| 21 | ROTISSERIE HOLE COVER | | 035097 |
| 22 | GAS THERMOSTAT | | 066218 |
| 23 | SWITCH | | 050067 |
| 24 | SWITCH SUPPORT | | 103888 |
| 25 | IGNITION HARNESS | | 1031435 |
| 26 | CAM | | 1031907 |
| 27 | TANGENTIAL MICROSWITCH | | 077081 |
| 28 | MICROSWITCH BLADE | | 094941 |
| 29 | ADAPTER | | 214078 |
| 30 | CABLE | | 1031636 |
| 31 | FEMALE CONNECTOR | | 051059 |
| 32 | CABLE | | 1031637 |
| 33 | IGNITION ELECTRONIC CONTROL UNIT | | 1031391 |
| 34 | BRACKET | | 094036 |
| 35 | SCREW M4X25 TC CROSS | | 001054 |
| 36 | FAN MOTOR | | 079042 |
| 37 | SPACER | | 103948.1 |
| 38 | GRILL DEFLECTOR | | 4219G13G |
| 39 | INJECTOR G20 | Ø 2.08 OVEN | 101085 |
| 40 | INJECTOR G20 | Ø 1.84 GRILL | 101443 |



| Ref. | Part description | Product code | |
|------|---|-------------------|-----------|
| | | C36GVR001X | |
| | | Feature | Part code |
| 01 | OVEN DOOR GLASS ASSY | | 0329G013 |
| 02 | HANDLE ASSY | | 037384062 |
| 04 | SCREW M5X15 TL x BRUGOLA5 | | 001265 |
| 05 | UPPER DOOR TRIM | | 51B9G18A |
| 06 | INNER DOOR GLASS | | 0313431 |
| 07 | OVEN DOOR HINGE | | 063171 |
| 08 | INNER DOOR GLASS | | 0313374 |
| 09 | SCREW M5X6 TC CROSS NERA | | 001288 |
| 10 | BOTTOM DOOR TRIM | | 51B9G01A |
| 11 | CORNER DOOR LOWER RH | | 069119 |
| 12 | CORNER DOOR LOWER LH | | 069120 |
| 13 | RETAINER DOOR GLASS | | 069097 |
| 14 | SUPPORT DOOR GLASS | | 069098 |
| 15 | SCREW VITE 7Px32 TC CROSS UNI6954 DIN798 | | 001355 |
| 16 | SCREW(BREV.KIL)8PX13TMT ZN | | 001169 |
| 17 | UPPER CORNER | | 069118 |
| 18 | UPPER CORNER | | 069117 |
| 19 | BRACKET CORNER LEFT | | 094714 |
| 20 | BRACKET CORNER RIGHT | | 094715 |
| 21 | BRACKET | | 069106 |
| 22 | RUBBER | | 040082 |
| 23 | SCREW 4,2PX16 TC CROS ZN/N | | 001311 |
| 24 | BRACKET | | 069105 |
| 25 | WASHER | | 003113 |



| Ref. | Part description | Product code | |
|------|-------------------------|-------------------|---------------|
| | | C36GVR001X | |
| | | Feature | Part code |
| 01 | OVEN TRAY BROILER | | 48B6105G |
| | BROILER PAN | | 48E6104G |
| 02 | SHELF SUPPORT | | 217789 |
| 03 | SHELF DROP DOWN | | 217782.1 |
| 04 | SHELF FLAT | | 217785.1 |
| 05 | SCREW SHELF SUPPORT | | 001142 |
| 08 | RIGHT TELESCOPIC RUNNER | | 1031782 |
| 09 | LEFT TELESCOPIC RUNNER | | 1031783 |
| 10 | WOK SUPPORT ELBA RANGES | | 217808 |
| 11 | GUARD RAIL | | 1031906 |
| | | | |
| NI | BOOK USER | | 1105786 |
| NI | BOOK INSTALLER | | 1105785 |
| | | | |
| NI | LPG CONVERSION KIT | | 61036G03 |
| - | INJECTOR G31 | Ø 0.85 AU - SR | 101362 (2pcs) |
| | | Ø 1.02 TR | 101388 (2pcs) |
| | | Ø 0.50 DU IN | 101348 |
| | | Ø 0.80 DU OUT | 101370 (2pcs) |
| - | INJECTOR G31 OVEN | Ø 1.20 OVEN | 101081 |
| - | INJECTOR G31 GRILL | Ø 1.05 GRILL | 101209 |